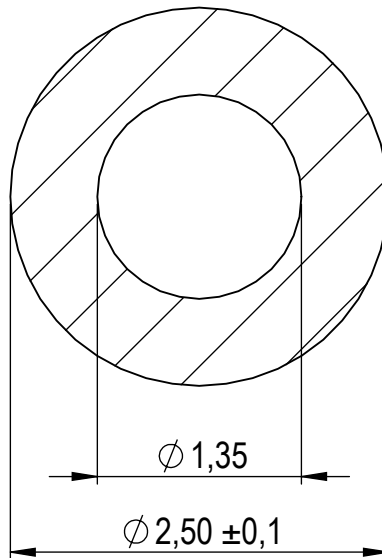


**Compashield® splice quality requirements:**

No reduction of the shielding properties in the splicing area. Splicing rubber thin and conductive.  
No flash, porosity or excess rubber at the joint after splicing.  
Max increase of compression force in the splicing area 5%. No excess splicing rubber inside hollow profiles.  
Joining point should stand for 10% stretch without mechanical damage

Cross-section area
3.48mm ^2



Nolato Silikonteknik

REV.	DATE	DESCRIPTION	Art.nr	Material	Length	Weight/m	Splice
REVISIONS			1235600	1540	Roll	4g	No
			1235601		150 ± 2 mm		Yes

	Document name				
	CompaShield Hollow O-shape				
	Sheet scale	Sheet size	Document no.	Rev no.	Nolato art. no.
	20:1	A4	P2356:15:001	A	1235600
General tolerances			Drawn by	Checked by	Date
SS ISO 3302-1 M3			O.Edholm	J.Björkegren	2015-01-13
			Reference cad data		
			1235600 A CompaShield Hollow O-shape		