

Compashield® splice quality requirements:

No reduction of the shielding properties in the splicing area. Splicing rubber thin and conductive.

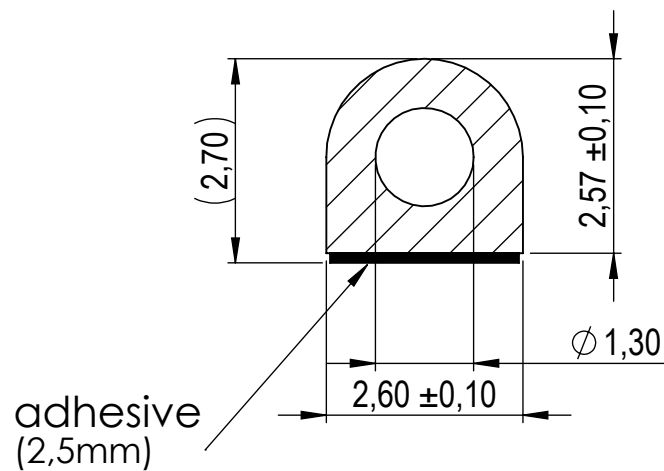
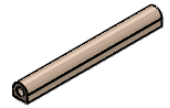
No flash, porosity or excess rubber at the joint after splicing.

Max increase of compression force in the splicing area 5%. No excess splicing rubber inside hollow profiles.


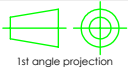
Joining point should stand for 10% stretch without mechanical damage

Electrial resistance measure:

Methode: Nolato R3 Max:150 mOhm



REVISIONS							
REV.	DATE	DESCRIPTION	Art.nr	Material	Length	Weight/m	Splice
			1233500	8651	Roll	11g	No
			1233501		287 ± 5mm		Yes
			1233502		505 ± 5mm		Yes

		Document name CompaShield D-Shape					
		Sheet scale 10:1	Sheet size A4	Document no. P2335 14_001	Rev no. C	Nolato art. no. 1233500	
General tolerances SS ISO 3302-1 M3				Drawn by J.Björkegren		Checked by O.Edholm	Date 2014-11-27
				Reference cad data 1233500 A CompaShield D-Shape			