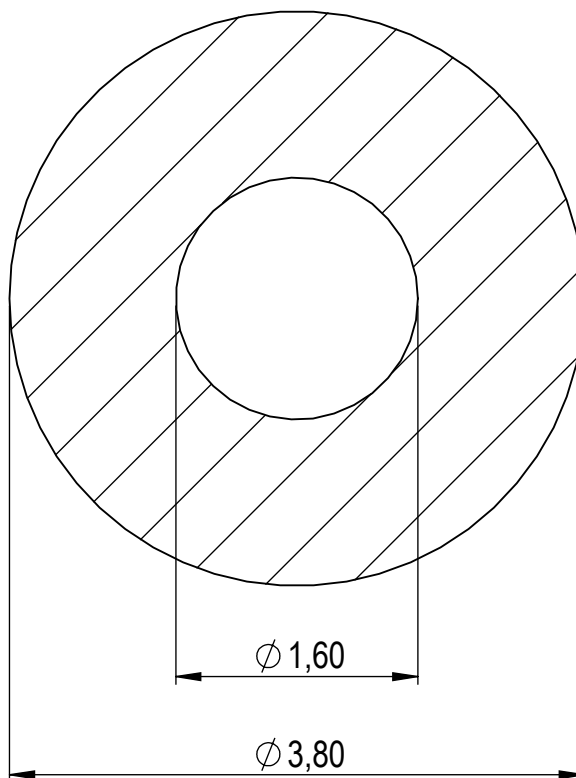


Compashield® splice quality requirements:

No reduction of the shielding properties in the splicing area. Splicing rubber thin and conductive.
 No flash, porosity or excess rubber at the joint after splicing.
 Max increase of compression force in the splicing area 5%. No excess splicing rubber inside hollow profiles.
 Joining point should stand for 10% stretch without mechanical damage

Cross-section area9,33 mm²**Electrial resistance measure:**

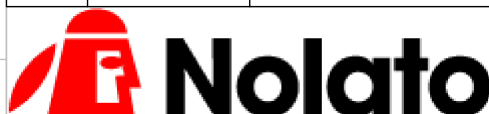
Methode: Nolato R3 Max: N/A



| Art.nr | Material | Length | Weight/m | Splice |
|---------|----------|------------|----------|--------|
| 1244300 | 1540 | Roll | 10,3g | No |
| 1244301 | | 1317 ±5 mm | | Yes |
| 1244302 | | 3000 ±5 mm | | No |

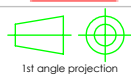
REVISIONS

| REV. | DATE | DESCRIPTION |
|------|------|-------------|
| | | |



Document name

Trishield Hollow O-shape



1st angle projection

Sheet scale
20:1Sheet size
A4Document no.
P2443:15:001Rev no.
ANolato art. no.
1244300

General tolerances

Drawn by

O.E

Checked by

P.Å

Date

2015-05-20

SS ISO 3302-1 M3

Reference cad data

1244300 A Trishield Hollow O-shape