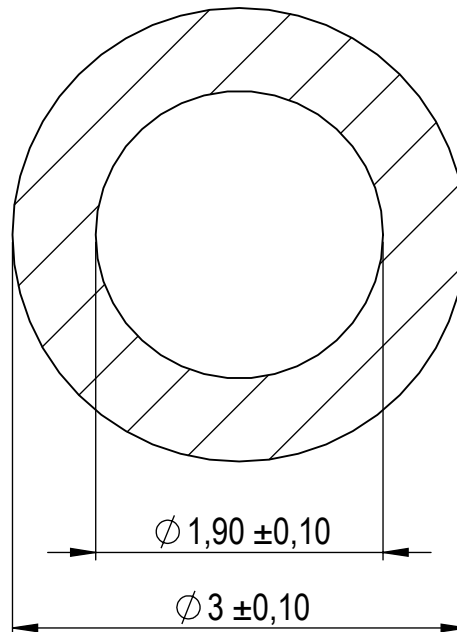


Compashield® splice quality requirements:

No reduction of the shielding properties in the splicing area. Splicing rubber thin and conductive.
 No flash, porosity or excess rubber at the joint after splicing.
 Max increase of compression force in the splicing area 5%. No excess splicing rubber inside hollow profiles.
 Joining point should stand for 10% stretch without mechanical damage

Cross-section area4,23 mm²**Electrial resistance measure:**

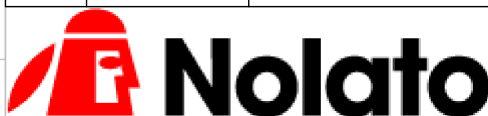
Methode: Nolato R3 Max: N/A



Art.nr	Material	Length	Weight/m	Splice
1243400	1540	Roll	4,7	No
1243401		1217 ± 3 mm		Yes

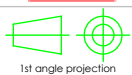
REVISIONS

REV.	DATE	DESCRIPTION



Document name

Compashield Hollow O-shape



1st angle projection

Sheet scale
20:1Sheet size
A4Document no.
P2434:15:001Rev no.
ANolato art. no.
1243400

General tolerances

Drawn by
O.EChecked by
S.MDate
2015-05-07

SS ISO 3302-1 M3

Reference cad data

1243400 A Compashield Hollow O-shape