

Compashield® splice quality requirements:

No reduction of the shielding properties in the splicing area. Splicing rubber thin and conductive.

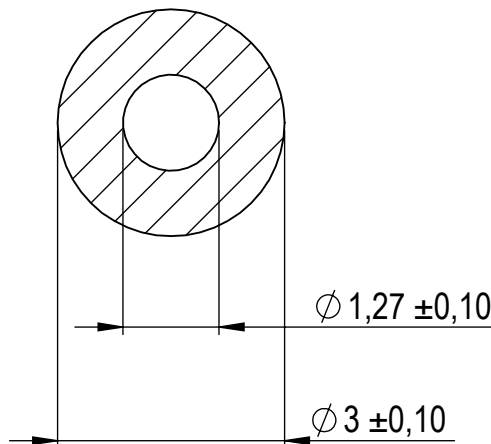
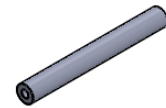
No flash, porosity or excess rubber at the joint after splicing.

Max increase of compression force in the splicing area 5%. No excess splicing rubber inside hollow profiles.

Joining point should stand for 10% stretch without mechanical damage

Electrial resistance measure:

Method: Nolato R3 Max: 300 mOhm



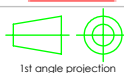
REV.	DATE	DESCRIPTION	Art.nr	Material	Length	Weight/m	Splice
REVISIONS			1241600	8642	Roll	14 g	No
			1241601		7,25 ±0,25 mm		No



Nolato

Document name

CompaShield Hollow O-shape



1st angle projection

Sheet scale
10:1

Sheet size
A4

Document no.
P2416:15:001

Rev no.
A

Nolato art. no.
1241600

General tolerances

Drawn by
S.Muhonen

Checked by
J.Björkegren

Date
2015-04-14

SS ISO 3302-1 M3

Reference cad data

1241600 A CompaShield Hollow O-shape