

Compashield® splice quality requirements:

No reduction of the shielding properties in the splicing area. Splicing rubber thin and conductive.

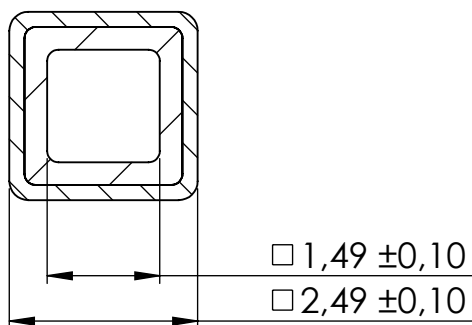
No flash, porosity or excess rubber at the joint after splicing.

Max increase of compression force in the splicing area 5%. No excess splicing rubber inside hollow profiles.

Joining point should stand for 10% stretch without mechanical damage

Electrial resistance measure:

Method: Nolato R3 Max: 300 mOhm



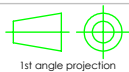
Rev.	Date	Description	Art.nr	Material	Length	Weight/m	Splice
			1240600	8648/1540	Roll	4,5/3 g	No
			1240601				



Nolato

Document name

CompaShield Hollow Square



1st angle projection

Sheet scale

10:1

Sheet size

A4

Document no.

P2406:15:001

Rev no.

A

Nolato art. no.

1240600

General tolerances

SS ISO 3302-1 M3

Drawn by

S.Muhonen

Checked by

P.Brock

Date

2015-03-26

Reference cad data

1240600 A CompaShield Hollow Square