

Compashield® splice quality requirements:

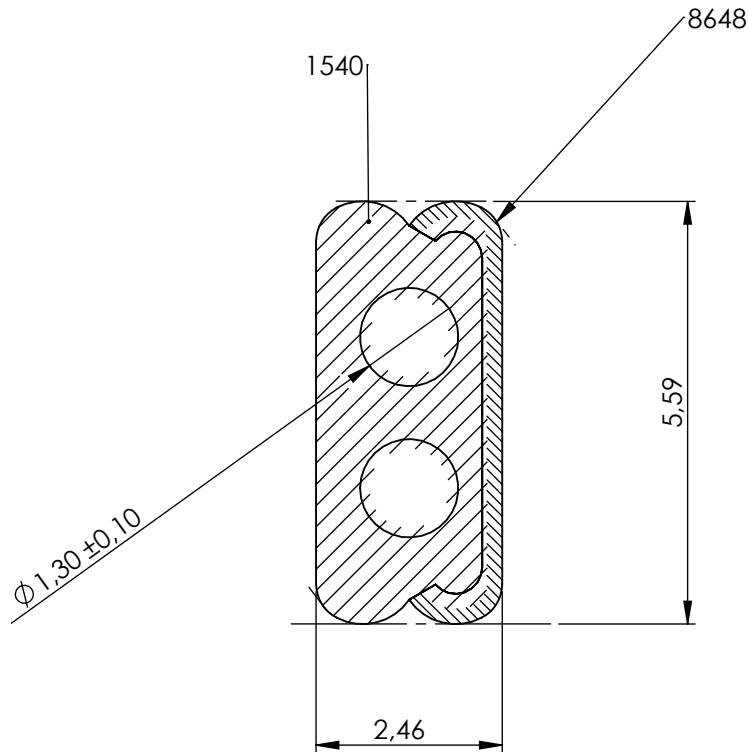
No reduction of the shielding properties in the splicing area. Splicing rubber thin and conductive.
 No flash, porosity or excess rubber at the joint after splicing.
 Max increase of compression force in the splicing area 5%. No excess splicing rubber inside hollow profiles.
 Jointing point should stand for 10% stretch without mechanical damage

Electrial resistance measure:


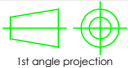
Methode: Nolato R3 Max:300 mOhm

Cross-section area

2.09mm ^2



REVISIONS			Art.nr	Material	Lenght	Weight/m	Splice
REV.	DATE	DESCRIPTION	1239500	8648 /1540	Roll	4g/12g	No
			1239501		825 ±5 mm		Yes

		Document name <h2 style="text-align: center;">Compashield EE</h2>				
	Sheet scale 1:8	Sheet size A4	Document no. P2395 15:001	Rev no. C	Nalato art. no. 1239500	Customer no.
General tolerances SS-ISO 2768 m			Drawn by JB	Checked by TN		Date 2015-03-03
Reference cad data					Part version no.	