

Compashield® splice quality requirements:

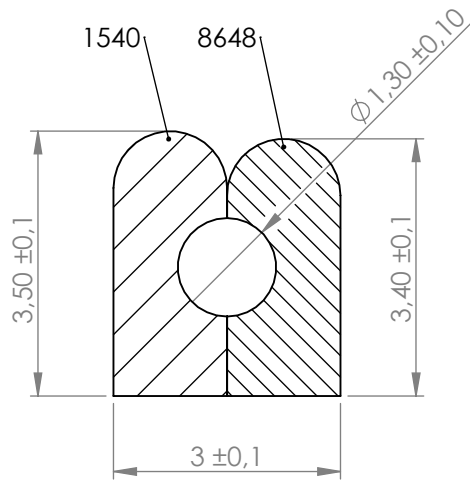
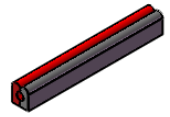
No reduction of the shielding properties in the splicing area. Splicing rubber thin and conductive.
No flash, porosity or excess rubber at the joint after splicing.
Max increase of compression force in the splicing area 5%. No excess splicing rubber inside hollow profiles.
Joining point should stand for 10% stretch without mechanical damage

Cross-section area

8.54 mm²

Electrial resistance measure:

Methode: Nolato R3 Max:300 mOhm



A

A

B

B

C

C

D

D

E

E

Art.nr	Material	Length	Weight/m	Splice
1233700	8648/1540	Roll	10g/5,2g	No

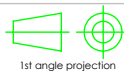
REVISIONS		
REV.	DATE	DESCRIPTION



Nolato

Document name

Compashield EE



1st angle projection

Sheet scale
10:1

Sheet size
A4

Document no.
P2337:14:001

Rev no.
A

Nolato art. no.
1233700

Customer no.

General tolerances

Drawn by
O.Edholm

Checked by

Date
2014-12-01

Reference cad data

Part version no.

ISO 3302-1 M3

F

F