

A

A

Compashield® splice quality requirements:

No reduction of the shielding properties in the splicing area. Splicing rubber thin and conductive.
No flash, porosity or excess rubber at the joint after splicing.
Max increase of compression force in the splicing area 5%. No excess splicing rubber inside hollow profiles.
Joining point should stand for 10% stretch without mechanical damage

Electrial resistance measure:

Methode: Nolato R3 Max:150 mOhm

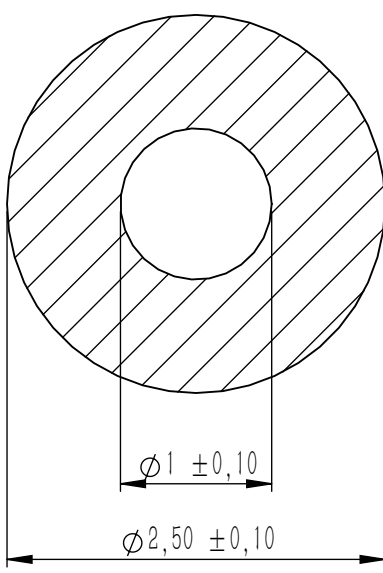
B

B



C

C



D

D

E

E

Art.nr	Material	Length (mm)	Weight/m	Splice
1232400	8651	Roll	7,83g	No
1232401		41,5 ± 1,5		No

REVISIONS		
REV.	DATE	DESCRIPTION

	Document name			
	CompaShield Hollow O-shape			

	Sheet scale 2:1	Sheet size A4	Document no. P2324 14:001	Rev no. B	Nolato art. no. 1232400
--	---------------------------	-------------------------	-------------------------------------	---------------------	-----------------------------------

General tolerances	Drawn by JB	Checked by T.Nilsson	Date 2014-11-25
--------------------	-----------------------	--------------------------------	---------------------------

SS ISO 3302-1 M3	Reference cad data 1232400 A CompaShield Hollow O-shape
------------------	--

F

F