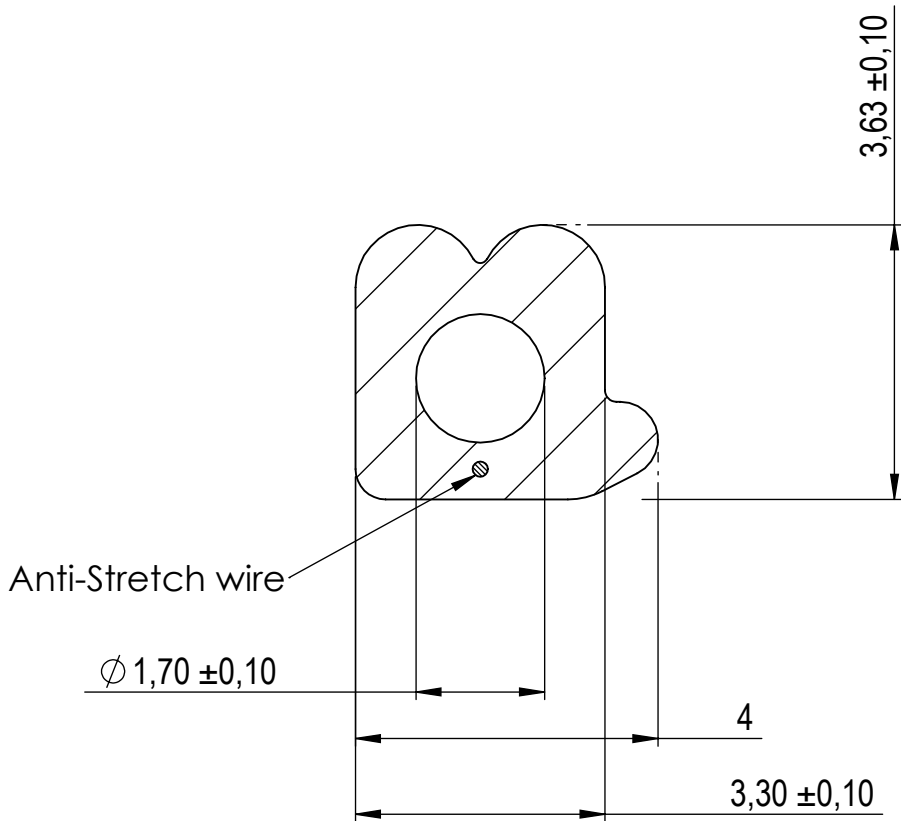



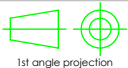
>Lorem ipsum dolor sit amet, consectetur adipiscing elit, sed do eiusmod tempor incididunt ut labore et dolore magna aliqua.

Compashield® splice quality requirements:

No reduction of the shielding properties in the splicing area. Splicing rubber thin and conductive.
 No flash, porosity or excess rubber at the joint after splicing.
 Max increase of compression force in the splicing area 5%. No excess splicing rubber inside hollow profiles.
 Joining point should stand for 10% stretch without mechanical damage



REVISIONS		Art.nr	Material	Length	Weight/m	Splice
REV.	DATE	DESCRIPTION	6900044	Steel wire	Roll	
			1232100	1540	Roll	10,7 g
						No

	Document name				
	Compashield IP-gasket, Pressfit + Anti-stretch				
	Sheet scale	Sheet size	Document no.	Rev no.	Nolato art. no.
	10:1	A4	P2321:14:001	A	1232100
General tolerances		Drawn by		Checked by	Date
		S.Muhonen		O.Edholm	2014-11-26
Reference cad data					
P2321_IP med Antistretch o hook					