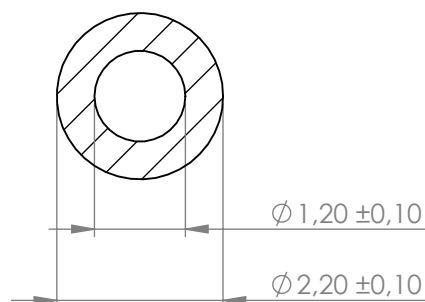


Compashield® splice quality requirements:


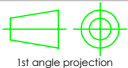
No reduction of the shielding properties in the splicing area. Splicing rubber thin and conductive.
 No flash, porosity or excess rubber at the joint after splicing.
 Max increase of compression force in the splicing area 5%. No excess splicing rubber inside hollow profiles.
 Joining point should stand for 10% stretch without mechanical damage

Cross-section area2.67mm ²**Electrial resistance measure:**

Methode: Nolato R3 Max:300 mOhm



REVISIONS			Art.nr	Material	Length	Weight/m	Splice
REV.	DATE	DESCRIPTION	1231800	8642	Roll	4,5g	No
			1231801		618 ± 3 mm		Yes

		Document name Compashield Hollow O-shape					
		Sheet scale 10:1	Sheet size A4	Document no. P2318:14:001	Rev no. A	Nalato art. no. 1231800	Customer no.
General tolerances ISO 3302-1 M3				Drawn by O.Edholm		Checked by	Date 2014-11-03
Reference cad data						Part version no.	