

Compashield® splice quality requirements:

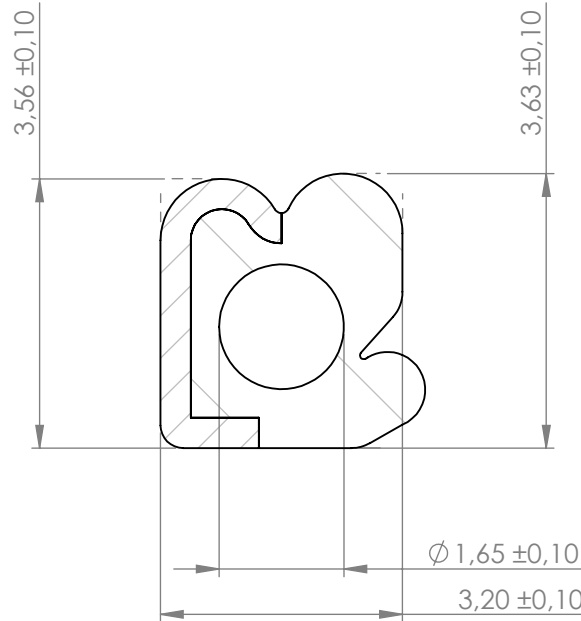
No reduction of the shielding properties in the splicing area. Splicing rubber thin and conductive.
No flash, porosity or excess rubber at the joint after splicing.
Max increase of compression force in the splicing area 5%. No excess splicing rubber inside hollow profiles.
Joining point should stand for 10% stretch without mechanical damage

Cross-section area

8.74 mm²

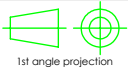
Electrial resistance measure:

Method: Nolato R3 Max:150 mOhm



REVISIONS			Art.nr	Material	Length	Weight/m	Splice
REV.	DATE	DESCRIPTION	1230400	8651 /1540	Roll	5g / 8g	No

 **Nolato** Document name: **Compashield EE-gasket**

	Sheet scale 10:1	Sheet size A4	Document no. P2304:14:001	Rev no. A	Nalato art. no. 1230400	Customer no.
General tolerances ISO 3302-1 M3			Drawn by S.Muhonen	Checked by P.Brock	Date 2014-10-08	
Reference cad data					Part version no.	