

Compashield® splice quality requirements:

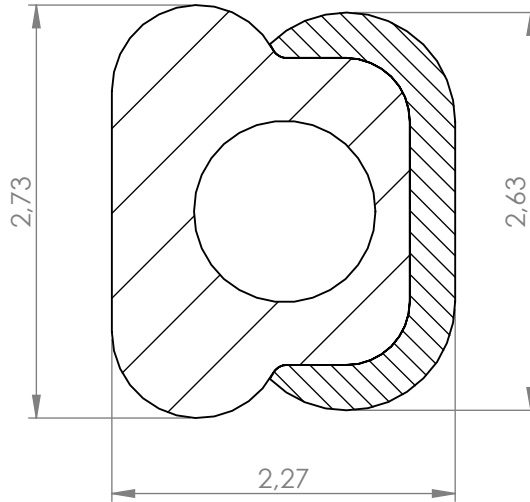
No reduction of the shielding properties in the splicing area. Splicing rubber thin and conductive.
No flash, porosity or excess rubber at the joint after splicing.
Max increase of compression force in the splicing area 5%. No excess splicing rubber inside hollow profiles.
Joining point should stand for 10% stretch without mechanical damage

Cross-section area


4.44 mm²

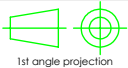
Electrial resistance measure:

Methode: Nolato R3 Max:300 mOhm



REVISIONS			Art.nr	Material	Length	Weight/m	Splice
REV.	DATE	DESCRIPTION	1230000	8648/1540	Roll	2,6g / 3,7g	No
B	141013	Small design change // OE	1230001		1050 ± 5 mm		

 **Nolato** Document name: **Compashield EE**

	Sheet scale 20:1	Sheet size A4	Document no. P2300:14:001	Rev no. B	Nalato art. no. 1230000	Customer no.
General tolerances ISO 3302-1 M3			Drawn by O.Edholm	Checked by	Date 2014-10-03	
Reference cad data					Part version no.	