

Compashield® splice quality requirements:

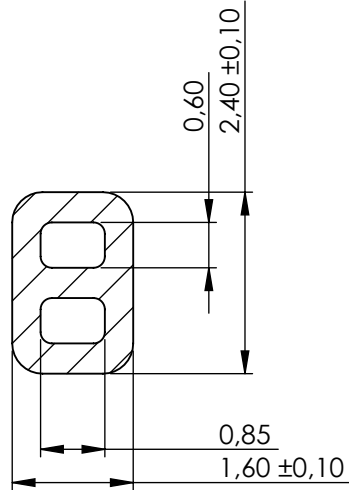
No reduction of the shielding properties in the splicing area. Splicing rubber thin and conductive.
No flash, porosity or excess rubber at the joint after splicing.
Max increase of compression force in the splicing area 5%. No excess splicing rubber inside hollow profiles.
Joining point should stand for 10% stretch without mechanical damage

Cross-section area


2.72mm ^2

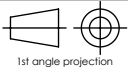
Electrial resistance measure:

Method: Nolato R3 Max: 300 mOhm



REVISIONS		Art.nr	Material	Length	Weight/m	Splice	
REV.	DATE	DESCRIPTION	1228500	8642	Roll	6,7g	No
			1228501		270 ±2 mm		Yes

 **Nolato** Document name: **Compashield Hollow Square**

	Sheet scale 10:1	Sheet size A4	Document no. P2285:14:001	Rev no. A	Nalato art. no. 1228500	Customer no.
General tolerances ISO 3302-1 M3			Drawn by S.Muhonen	Checked by P.Brock	Date 2014-09-17	
Reference cad data					Part version no.	