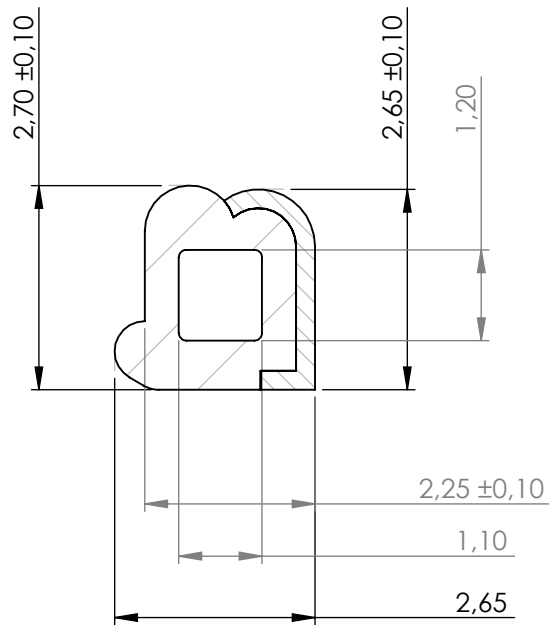


Compashield® splice quality requirements:

No reduction of the shielding properties in the splicing area. Splicing rubber thin and conductive.
 No flash, porosity or excess rubber at the joint after splicing.
 Max increase of compression force in the splicing area 5%. No excess splicing rubber inside hollow profiles.
 Joining point should stand for 10% stretch without mechanical damage

Cross-section area4.71 mm²**Electrial resistance measure:**

Method: Nolato R3 Max: 300 mOhm

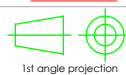


REVISIONS			Art.nr	Material	Length	Weight/m	Splice
REV.	DATE	DESCRIPTION	1227600	8648 /1540	Roll	2,3g / 4,2g	No
			1227601		208 ±2 mm		Yes

**Nolato**

Document name

Compashield EE-gasket



1st angle projection

Sheet scale
10:1Sheet size
A4Document no.
P2276:14:001Rev no.
ANalato art. no.
1227600

Customer no.

General tolerances

Drawn by
S.MuhonenChecked by
P.BrockDate
2014-09-30

ISO 3302-1 M3

Reference cad data

Part version no.