

Compashield® splice quality requirements:

No reduction of the shielding properties in the splicing area. Splicing rubber thin and conductive.

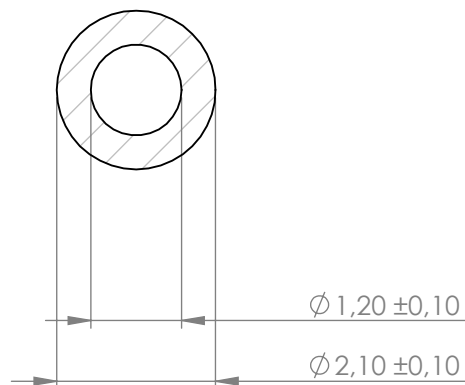
No flash, porosity or excess rubber at the joint after splicing.

Max increase of compression force in the splicing area 5%. No excess splicing rubber inside hollow profiles.

Joining point should stand for 10% stretch without mechanical damage

Cross-section area

2.33mm ^2



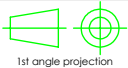
REVISIONS				
REV.	DATE	DESCRIPTION	Art.nr	Material
			1227300	1540
			1227301	

Length	Weight/m	Splice
Roll	2,6g	No
912 ±3 mm		Yes



Document name

Compashield Hollow O-shape

 1st angle projection	Sheet scale 10:1	Sheet size A4	Document no. P2273:14:001	Rev no. A	Nolato art. no. 1227300	Customer no.
General tolerances ISO 3302-1 M3			Drawn by S.Muhonen	Checked by P.Brock	Date 2014-09-30	
Reference cad data				Part version no.		