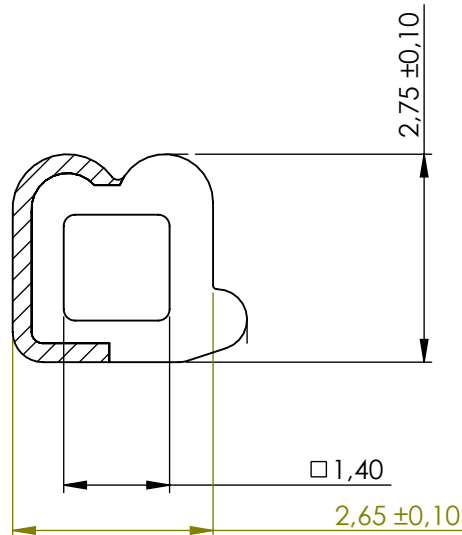


**Compashield® splice quality requirements:**

No reduction of the shielding properties in the splicing area. Splicing rubber thin and conductive.  
 No flash, porosity or excess rubber at the joint after splicing.  
 Max increase of compression force in the splicing area 5%. No excess splicing rubber inside hollow profiles.  
 Joining point should stand for 10% stretch without mechanical damage

**Cross-section area**5.3 mm<sup>2</sup>**Electrial resistance measure:**

Method: Nolato R3 Max: 300 mOhm



Art.nr	Material	Length	Weight/m	Splice
1226400	8648 /1540	Roll	3g / 5g	No
1226401		568 ±2 mm		Yes
1226402		91,5 ±1 mm		Yes, T-joint
1226403		520 ±2 mm		Yes
1226404		117,5 ±1 mm		Yes, T-joint

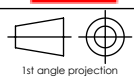
## REVISIONS

REV.	DATE	DESCRIPTION



Document name

Compashield EE-gasket



1st angle projection

Sheet scale  
10:1Sheet size  
A4Document no.  
P2264:14:001Rev no.  
DNalato art. no.  
1226400

Customer no.

General tolerances

Drawn by  
S.MuhonenChecked by  
P.BrockDate  
2014-08-13

ISO 3302-1 M3

Reference cad data

Part version no.