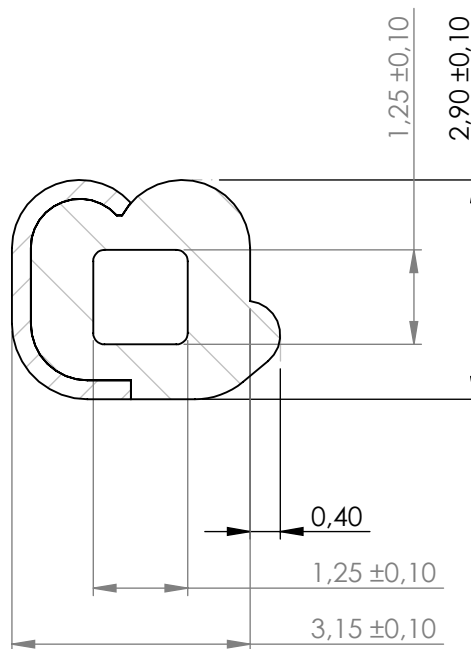
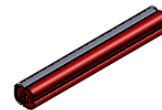


Compashield® splice quality requirements:

No reduction of the shielding properties in the splicing area. Splicing rubber thin and conductive.
 No flash, porosity or excess rubber at the joint after splicing.
 Max increase of compression force in the splicing area 5%. No excess splicing rubber inside hollow profiles.
 Joining point should stand for 10% stretch without mechanical damage

Cross-section area7.1 mm²**Electrial resistance measure:**

Method: Nolato R3 Max: 300 mOhm



Art.nr	Material	Length	Weight/m	Splice
1226300	8648 /1540	Roll	3,5g / 7g	No
1226301		633 ± 2 mm		Yes
1226302		838 ± 2 mm		Yes
1226303		569 ± 2 mm		Yes
1226304		92 ± 1 mm		No
1226305		520 ± 2 mm		Yes
1226306		117,5 ± 1 mm		No
1226307		596 ± 2 mm		Yes

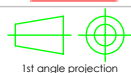
REVISIONS

REV.	DATE	DESCRIPTION



Document name

Compashield EE-gasket



1st angle projection

Sheet scale
10:1Sheet size
A4Document no.
P2263:14:001Rev no.
DNalato art. no.
1226300

Customer no.

General tolerances

Drawn by
S.MuhonenChecked by
P.BrockDate
2014-08-13

ISO 3302-1 M3

Reference cad data

Part version no.