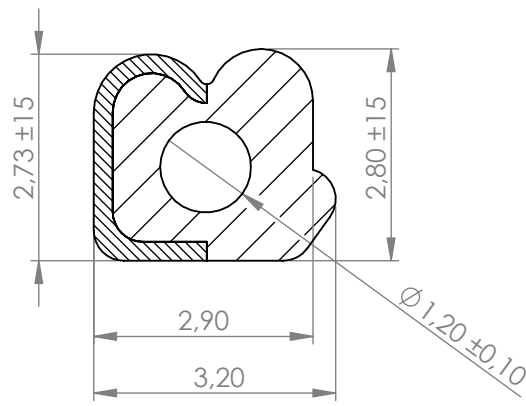


Cross-section area

6.56 mm²

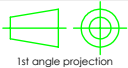
Compashield® splice quality requirements:
 No reduction of the shielding properties in the splicing area. Splicing rubber thin and conductive.
 No flash, porosity or excess rubber at the joint after splicing.
 Max increase of compression force in the splicing area 5%. No excess splicing rubber inside hollow profiles.
 Jointing point should stand for 10% stretch without mechanical damage

Electrical resistance measure:
 Methode: Nolato R3 Max:300 mOhm



REVISIONS			Art.nr	Material	Length	Weight/m	Splice
REV.	DATE	DESCRIPTION	1226200	8648/1540	Roll	3g/6g	No

 **Nolato** Document name **Compashield EE**

	Sheet scale 10:1	Sheet size A4	Document no. P2262:14:001	Rev no. A	Nolato art. no. 1226200	Customer no.
General tolerances ISO 3302-1 M3			Drawn by O.edholm	Checked by	Date 2014-08-21	
Reference cad data					Part version no.	