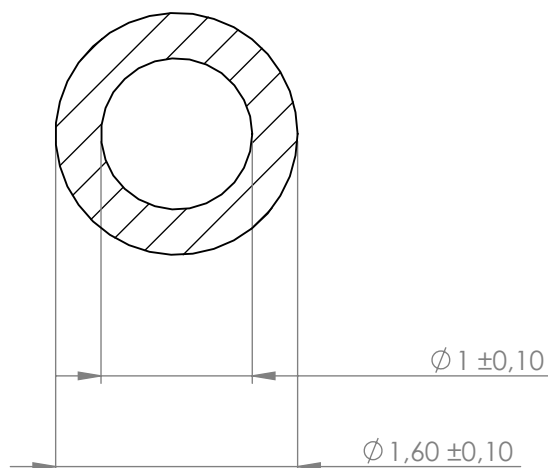


**Compashield® splice quality requirements:**


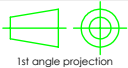
No reduction of the shielding properties in the splicing area. Splicing rubber thin and conductive.  
 No flash, porosity or excess rubber at the joint after splicing.  
 Max increase of compression force in the splicing area 5%. No excess splicing rubber inside hollow profiles.  
 Joining point should stand for 10% stretch without mechanical damage

**Cross-section area**1.46mm <sup>2</sup>**Electrial resistance measure:**

Methode: Nolato R3 Max:150 mOhm



REVISIONS			Art.nr	Material	Length	Weight/m	Splice
REV.	DATE	DESCRIPTION	1226000	8605	Roll	5,3g	No
B	140916	Dimensions changed // OE					

		Document name					
		Compashield Hollow O-shape					
		Sheet scale	Sheet size	Document no.	Rev no.	Nolato art. no.	Customer no.
		20:1	A4	P2260:14:001	B	1226000	
General tolerances			Drawn by		Checked by		Date
ISO 3302-1 M3			O.Edholm				2014-08-08
			Reference cad data			Part version no.	