

1

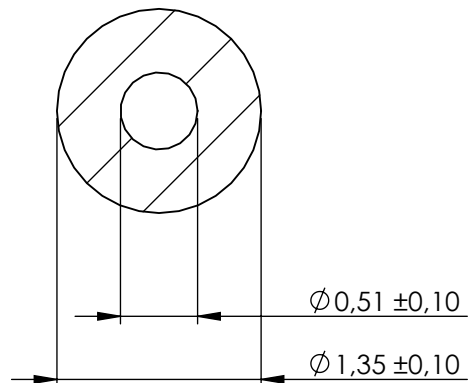
2

3

4

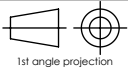
Compashield® splice quality requirements:

No reduction of the shielding properties in the splicing area. Splicing rubber thin and conductive.
 No flash, porosity or excess rubber at the joint after splicing.
 Max increase of compression force in the splicing area 5%. No excess splicing rubber inside hollow profiles.
 Joining point should stand for 10% stretch without mechanical damage

Cross-section area1.23mm ²

REVISIONS				
REV.	DATE	DESCRIPTION	Art.nr	Material
			1224900	8642
			1224401	
			1224402	

		Document name Compashield Hollow O-shape		
---	--	--	--	--

	Sheet scale 20:1	Sheet size A4	Document no. P2249:14:001	Rev no. A	Nolato art. no. 1224900	Customer no.
General tolerances ISO 3302-1 M3			Drawn by T.Nilsson	Checked by	Date 2014-07-01	
Reference cad data				Part version no.		

1

2

3

4