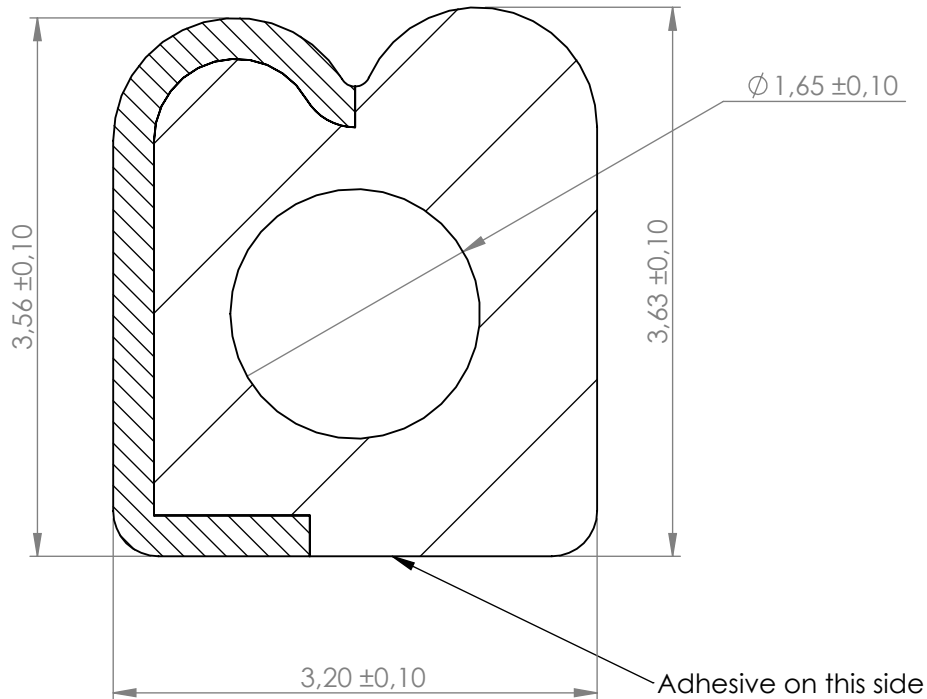
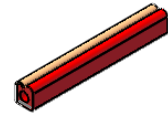


**Compashield® splice quality requirements:**

No reduction of the shielding properties in the splicing area. Splicing rubber thin and conductive.  
 No flash, porosity or excess rubber at the joint after splicing.  
 Max increase of compression force in the splicing area 5%. No excess splicing rubber inside hollow profiles.  
 Joining point should stand for 10% stretch without mechanical damage

**Electrial resistance measure:**

Methode: Nolato R3 Max:150 mOhm

**Cross-section area**8.8 mm<sup>2</sup>**General Table**

Art.nr	Material	Length	Weight/m	Splice
9000134	Adhesive			
1223700	8651/1540	Roll	5g/8g	No
1223701		1369 +0/-5 mm		Yes
1223702		1183 +0/-5 mm		Yes
1223703		428 +0/-5 mm		Yes
1223704		1570 +0/-5 mm		Yes
1223705		1113 +0/-5 mm		Yes
1223706		1412 +0/-5 mm		Yes

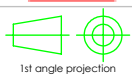
**REVISIONS**

REV.	DATE	DESCRIPTION
D	140819	1223701 has changed length and tolerance



Document name

Compashield EE

Sheet scale  
20:1Sheet size  
A4Document no.  
P2237:14:001Rev no.  
GNalato art. no.  
1223700

Customer no.

General tolerances

Drawn by  
O.EdholmChecked by  
S.MuhonenDate  
2014-05-16

ISO 3302-1 M3

Reference cad data

Part version no.