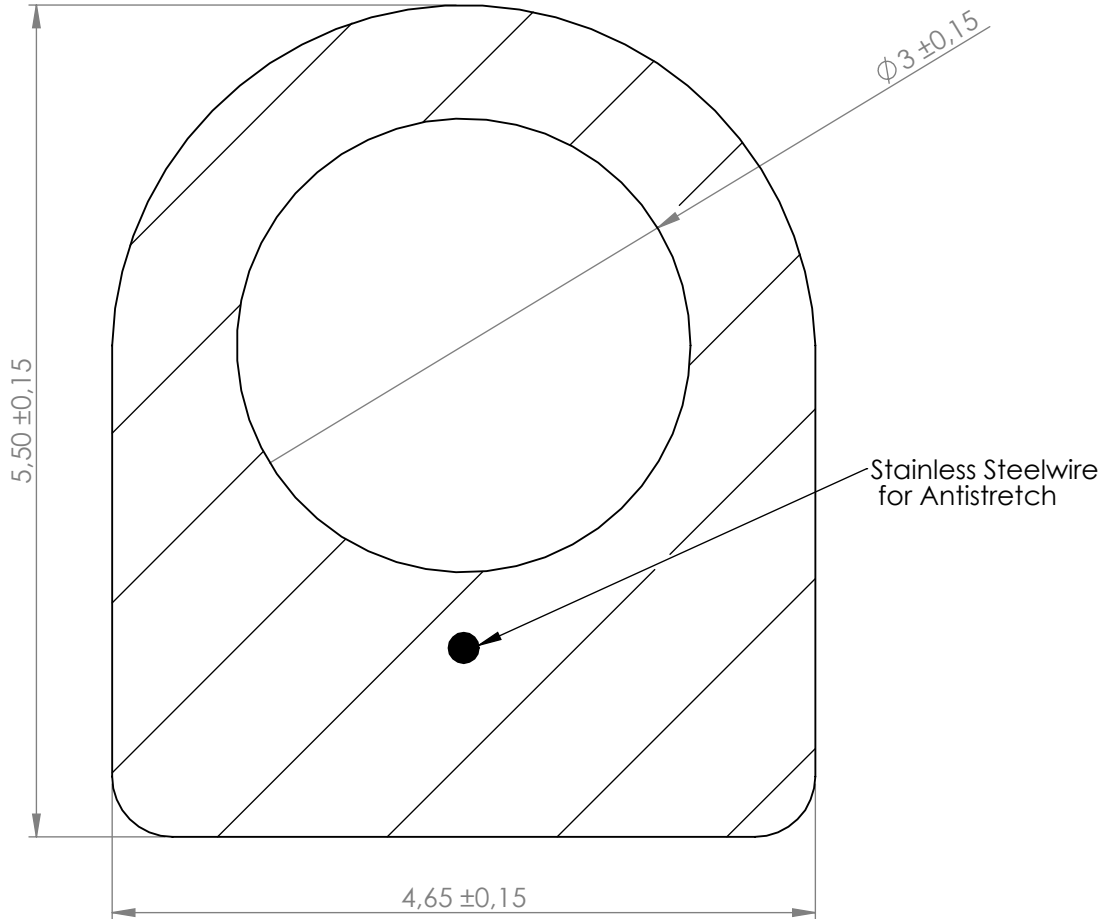
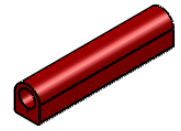


**Compashield® splice quality requirements:**


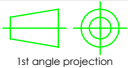
No reduction of the shielding properties in the splicing area. Splicing rubber thin and conductive.  
 No flash, porosity or excess rubber at the joint after splicing.  
 Max increase of compression force in the splicing area 5%. No excess splicing rubber inside hollow profiles.  
 Joining point should stand for 10% stretch without mechanical damage

**Cross-section area**

16.12mm <sup>2</sup>



REVISIONS			Art.nr	Material	Length	Weight/m	Splice
REV.	DATE	DESCRIPTION	1223300	1540	Roll	18g	No
			1223301		1615 ± 3 mm		Yes

		Document name					
		Compashield Hollow D-shape					
		Sheet scale	Sheet size	Document no.	Rev no.	Nolato art. no.	Customer no.
		20:1	A4	P2233:14:001	A	1223300	
General tolerances				Drawn by	Checked by	Date	
ISO 3302-1 M3				OE		2014-05-28	
Reference cad data					Part version no.		