

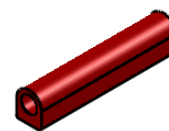
Compashield® splice quality requirements:

No reduction of the shielding properties in the splicing area. Splicing rubber thin and conductive.

No flash, porosity or excess rubber at the joint after splicing.

Max increase of compression force in the splicing area 5%. No excess splicing rubber inside hollow profiles.

Joining point should stand for 10% stretch without mechanical damage

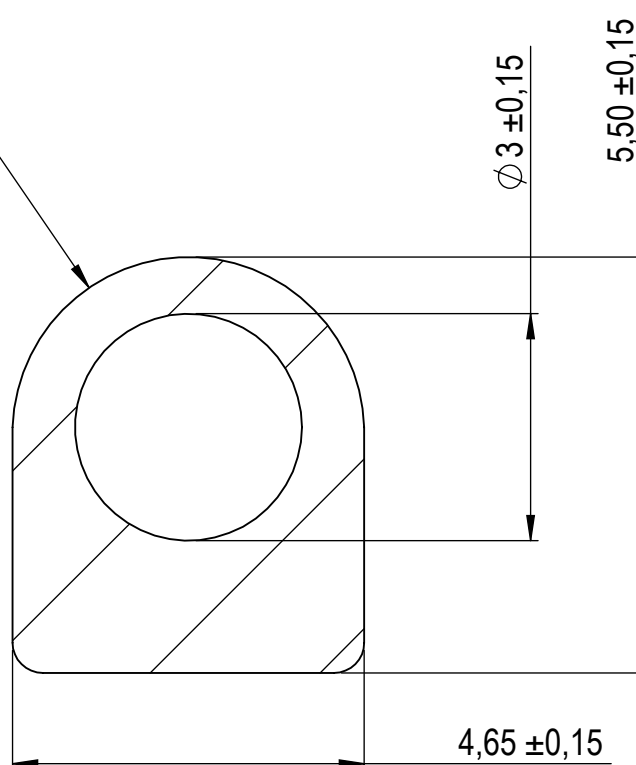
Cross-section area16,12mm²

R2,3


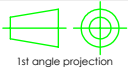
 $\varnothing 3 \pm 0,15$

5,50 ±0,15

4,65 ±0,15



REV.	DATE	DESCRIPTION	Art.nr	Material	Length	Weight/m	Splice
REVISIONS			1223100	1540	Roll	18 g	No
			1223101		1610 ±5 mm		Yes

		Document name Compashield Hollow D-shape				
	Sheet scale 10:1	Sheet size A4	Document no. P2231:15:001	Rev no. A	Nolato art. no. 1223100	
General tolerances ISO3302-1 Class M3			Drawn by K.Muhonen		Checked by S.Muhonen	Date 2015-06-23
			Reference cad data			