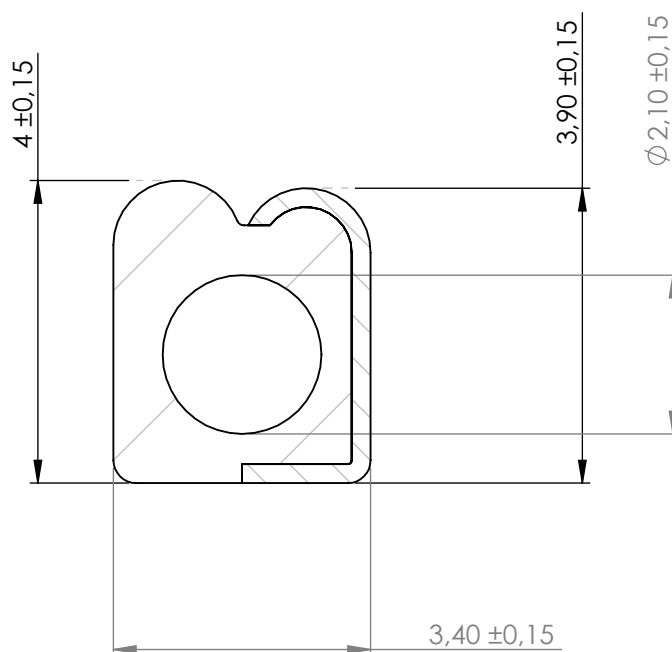


Compashield® splice quality requirements:

No reduction of the shielding properties in the splicing area. Splicing rubber thin and conductive.
 No flash, porosity or excess rubber at the joint after splicing.
 Max increase of compression force in the splicing area 5%. No excess splicing rubber inside hollow profiles.
 Joining point should stand for 10% stretch without mechanical damage

Cross-section area9.32 mm²**Electrial resistance measure:**

Method: Nolato R3 Max: 300 mOhm



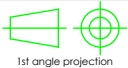
Art.nr	Material	Lenght	Weight/m	Splice
1220600	8648 /1540	Roll	5g / 8g	No
1220601		396 +0/-3 mm		Yes
1220602		1317 +0/-5 mm		Yes
1220603		1390 +0/-3 mm		Yes
1220604		1491 +0/-3 mm		Yes

REVISIONS		
REV.	DESCRIPTION	DATE



Document name

Compashield EE-gasket

 1st angle projection	Sheet scale 10:1	Sheet size A4	Document no. P2206:14:001	Rev no. F	Nalato art. no. 1220600	Customer no.
	General tolerances ISO 3302-1 M3		Drawn by S.Muhonen	Checked by P.Brock		Date 2014-04-02
Reference cad data					Part version no.	