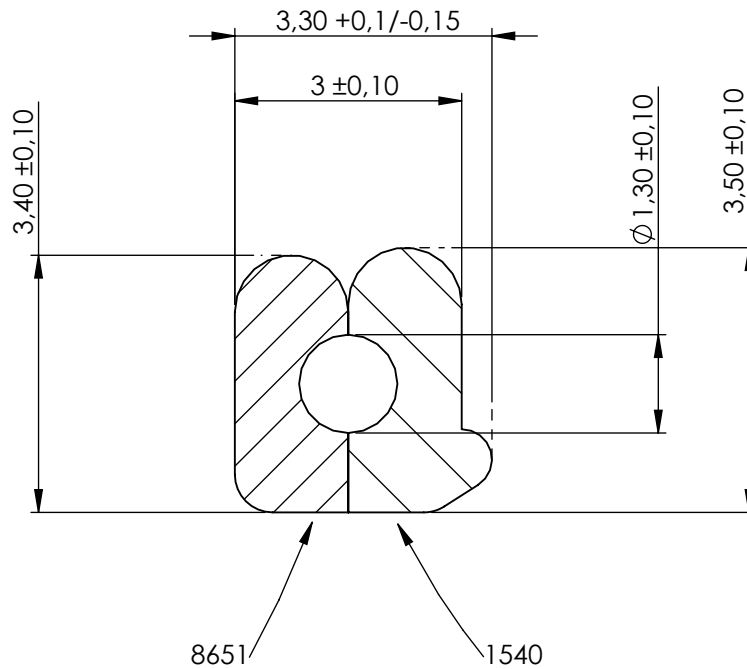


Compashield® splice quality requirements:

No reduction of the shielding properties in the splicing area. Splicing rubber thin and conductive.
 No flash, porosity or excess rubber at the joint after splicing.
 Max increase of compression force in the splicing area 5%. No excess splicing rubber inside hollow profiles.
 Joining point should stand for 10% stretch without mechanical damage

Cross-section area8.7 mm²**Electrial resistance measure:**

Method: Nolato R3 Max:150 mOhm



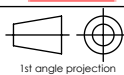
Art.nr	Material	Lenght	Weight/m	Splice
1220400	8651 /1540	Roll	9g / 6g	No

REVISIONS		
REV.	DATE	DESCRIPTION

**Nolato**

Document name

Compashield EE-gasket

Sheet scale
10:1Sheet size
A4Document no.
P2204:14:001Rev no.
BNolato art. no.
1220400

Customer no.

General tolerances

Drawn by
S.MuhonenChecked by
P.BrockDate
2014-04-09

ISO 3302-1 M3

Reference cad data

Part version no.