

Compashield® splice quality requirements:

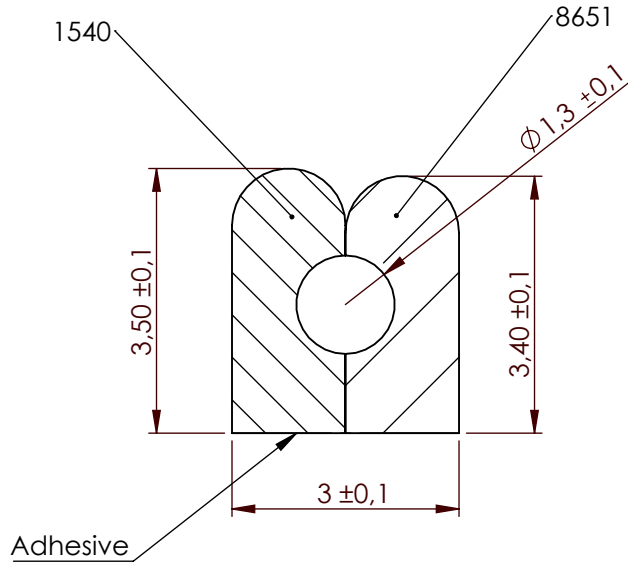
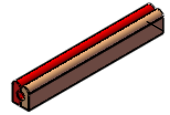
No reduction of the shielding properties in the splicing area. Splicing rubber thin and conductive.
No flash, porosity or excess rubber at the joint after splicing.
Max increase of compression force in the splicing area 5%. No excess splicing rubber inside hollow profiles.
Joining point should stand for 10% stretch without mechanical damage

Cross-section area

8.54 mm²

Electrial resistance measure:

Methode: Nolato R3 Max:150 mOhm



A

B

C

D

E

F

A

B

C

D

E

F

Art.nr	Material	Lenght	Weight/m	Splice
1220300	8651/1540	Roll	8,8g/5,2g	No
REV.	DATE	DESCRIPTION		



Document name
Compashield EE

	Sheet scale 10:1	Sheet size A4	Document no. P2203:14:001	Rev no. A	Nalato art. no. 1220300	Customer no.
General tolerances ISO 3302-1 M3			Drawn by OE	Checked by	Date 2014-03-28	
Reference cad data					Part version no.	