

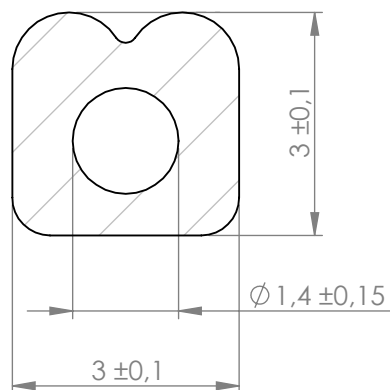
**Compashield® splice quality requirements:**

No reduction of the shielding properties in the splicing area. Splicing rubber thin and conductive.

No flash, porosity or excess rubber at the joint after splicing.


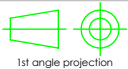
Max increase of compression force in the splicing area 5%. No excess splicing rubber inside hollow profiles.

Joining point should stand for 10% stretch without mechanical damage

**Cross-section area****6,7 mm<sup>2</sup>**

Art.nr	Material	Lenght	Weight/m	Splice
1217900	1540	Roll	8,5	No
1217901		1217 ± 4 mm		Yes
1217902		239 ± 2 mm		Yes
1217903		958 ± 4 mm		Yes

REVISIONS		
REV.	DATE	DESCRIPTION
A	140123	New profile. //PÅ

		Document name <b>Compashield EE</b>		
	Sheet scale <b>1:10</b>	Sheet size <b>A4</b>	Document no. <b>P2179:14:001</b>	Rev no. <b>B</b>
General tolerances  <b>SS-ISO 2768 m</b>		Drawn by <b>P. Åkerberg</b>	Checked by <b>P.Brock</b>	Nolato art. no. <b>1217900</b>
Reference cad data			Customer no.	Date <b>2014-01-23</b>
		Part version no.		