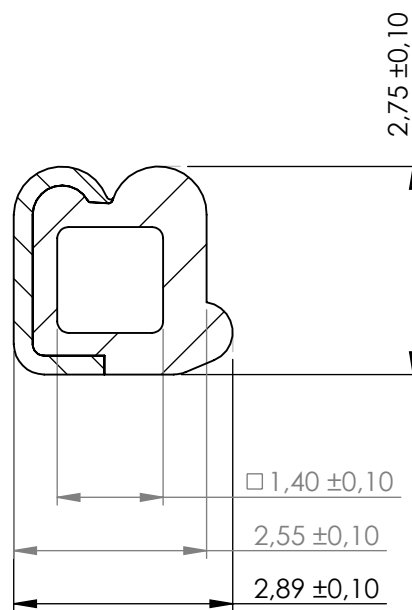


Compashield® splice quality requirements:

No reduction of the shielding properties in the splicing area. Splicing rubber thin and conductive.
 No flash, porosity or excess rubber at the joint after splicing.
 Max increase of compression force in the splicing area 5%. No excess splicing rubber inside hollow profiles.
 Joining point should stand for 10% stretch without mechanical damage

Cross-section area**4,87** mm²**Electrial resistance measure:**

Method: Nolato R3 Max:300 mOhm



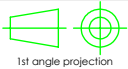
Art.nr	Material	Lenght	Weight/m	Splice
1217300	8648 /1540	Roll	3g / 4,5g	No
1217301		782 ±5 mm		Yes
1217302		1005 ±5 mm		Yes
1217303		354 ±3 mm		Yes

REVISIONS		
REV.	DATE	DESCRIPTION



Document name

Compashield EE-gasket

 1st angle projection	Sheet scale 10:1	Sheet size A4	Document no. P2173:14:001	Rev no. B	Nolato art. no. 1217300	Customer no.
	General tolerances ISO 3302-1 M3		Drawn by S.Muhonen	Checked by P.Brock	Date 2014-01-22	
Reference cad data				Part version no.		