

1

2

3

4

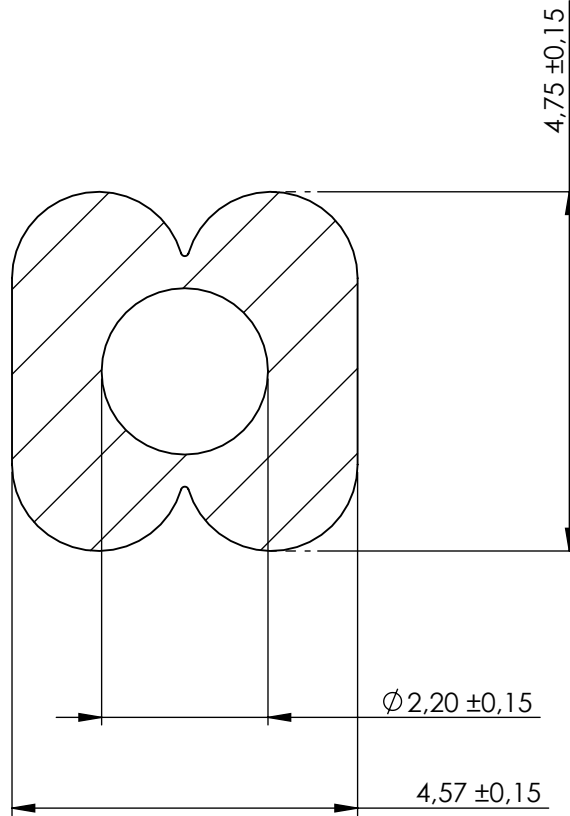
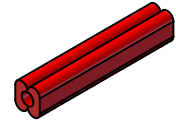
Compashield® splice quality requirements:

No reduction of the shielding properties in the splicing area. Splicing rubber thin and conductive.

No flash, porosity or excess rubber at the joint after splicing.


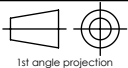
Max increase of compression force in the splicing area 5%. No excess splicing rubber inside hollow profiles.

Joining point should stand for 10% stretch without mechanical damage

Cross-section area15,7 mm²

REVISIONS				
REV.	DATE	DESCRIPTION	Art.nr	Material
			1213300	1540
			1213301	
			1213302	

Lenght	Weight/m	Splice
Roll	19 g	No
1562 ±5 mm		Yes
114 ±2 mm		Yes

		Document name		
		Compashield Special Profile		
	Sheet scale 10:1	Sheet size A4	Document no. P2133:13:001	Rev no. A
		Nolato art. no. 1213300		Customer no.
General tolerances		Drawn by S.Muhonen	Checked by P.Brock	Date 2013-10-24
ISO 3302-1 M3		Reference cad data		Part version no.

1

2

3

4