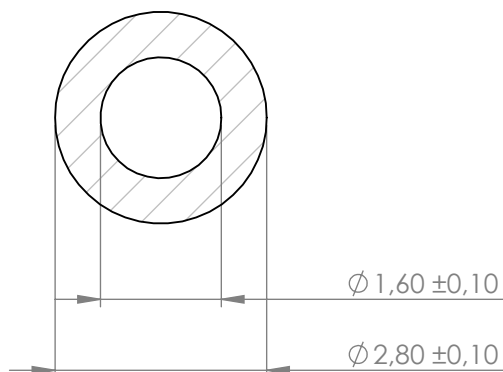


Compashield® splice quality requirements:

No reduction of the shielding properties in the splicing area. Splicing rubber thin and conductive.
 No flash, porosity or excess rubber at the joint after splicing.
 Max increase of compression force in the splicing area 5%. No excess splicing rubber inside hollow profiles.
 Joining point should stand for 10% stretch without mechanical damage


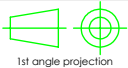
Cross-section area4,15 mm²**Electrial resistance measure:**

Methode: Nolato R3 Max:300 mOhm



Art.nr	Material	Lenght	Weight/m	Splice
1212600	8642	Roll	9,2 g	No
1212601	8642	165±2 mm		Yes

REVISIONS		
REV.	DATE	DESCRIPTION
A	131015	New drawing. //PÅ

		Document name			Compashield Hollow O-shape		
	Sheet scale 10:1	Sheet size A4	Document no. P2126:13:001	Rev no. B	Nalato art. no. 1212600	Customer no.	
General tolerances ISO 3302-1 M3			Drawn by P. Åkerberg		Checked by P.Brock		Date 2013-10-15
Reference cad data					Part version no.		