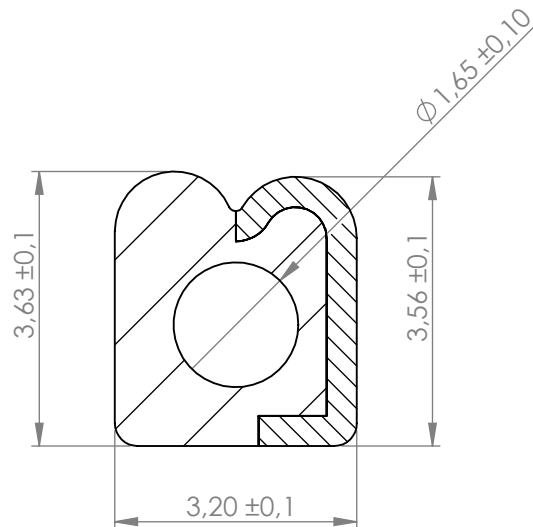


Compashield® splice quality requirements:


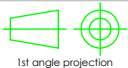
No reduction of the shielding properties in the splicing area. Splicing rubber thin and conductive.
 No flash, porosity or excess rubber at the joint after splicing.
 Max increase of compression force in the splicing area 5%. No excess splicing rubber inside hollow profiles.
 Joining point should stand for 10% stretch without mechanical damage

Cross-section area8,8 mm²**Electrial resistance measure:**

Methode: Nolato R3 Max: 300 mOhm



REVISIONS			Art.nr	Material	Lenght	Weight/m	Splice
REV.	DATE	DESCRIPTION	1212100	8648/1540	Roll	4,8g/7,5g	No
A	130925	First revision. Same profil as 1516. //PÅ	1212101		664,5±2 mm		Yes

		Document name Compashield EE					
		Sheet scale 10:1	Sheet size A4	Document no. P2121:13:001	Rev no. B	Nalato art. no. 1212100	Customer no.
General tolerances ISO 3302-1 M3				Drawn by P. Åkerberg	Checked by P.Brock	Date 2013-09-25	
Reference cad data						Part version no.	