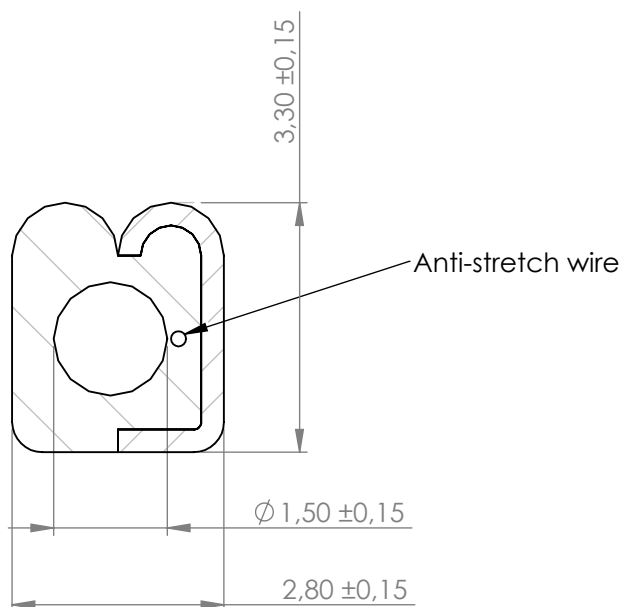


Compashield® splice quality requirements:

No reduction of the shielding properties in the splicing area. Splicing rubber thin and conductive.
 No flash, porosity or excess rubber at the joint after splicing.
 Max increase of compression force in the splicing area 5%. No excess splicing rubber inside hollow profiles.
 Joining point should stand for 10% stretch without mechanical damage

Cross-section area7,0 mm²**Electrial resistance measure:**

Methode: Nolato R3 Max:300 mOhm



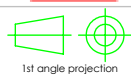
REVISIONS				
REV.	DATE	DESCRIPTION	Art.nr	Material
			1210800	8648 /1540
			1210801	
			1210802	

Lenght	Weight/m	Splice
Roll	4g / 6g	No
151 ± 1 mm		Yes
103,9 ± 1 mm		Yes

**Nolato**

Document name

Compashield EE Anti-stretch

Sheet scale
10:1Sheet size
A4Document no.
P2108:13:001Rev no.
BNolato art. no.
1210800

Customer no.

General tolerances

Drawn by
S.MuhonenChecked by
P.BrockDate
2013-08-22

ISO 3302-1 M3

Reference cad data

Part version no.