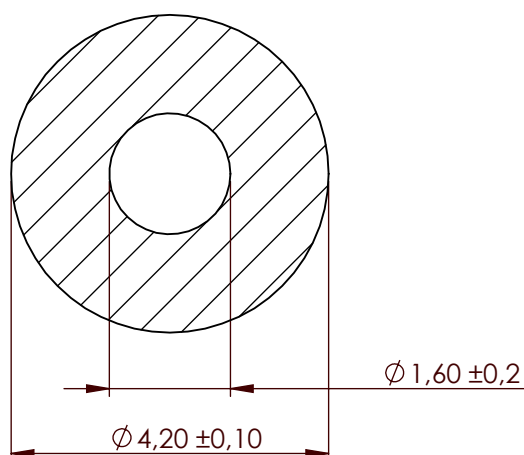


Compashield® splice quality requirements:


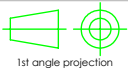
No reduction of the shielding properties in the splicing area. Splicing rubber thin and conductive.
 No flash, porosity or excess rubber at the joint after splicing.
 Max increase of compression force in the splicing area 5%. No excess splicing rubber inside hollow profiles.
 Joining point should stand for 10% stretch without mechanical damage

Cross-section area11,84 mm ²**Electrial resistance measure:**

Methode: Nolato R3 Max:150 mOhm



REVISIONS			Art.nr	Material	Lenght	Weight/m	Splice
REV.	DATE	DESCRIPTION	1210200	8651	Roll	25 g	No
A	130821	New drawing					
C	131120	New material //OE					

 Nolato		Document name Compashield Solid O-shape				
 1st angle projection	Sheet scale 10:1	Sheet size A4	Document no. P2102:13:001	Rev no. C	Nalato art. no. 1210200	Customer no.
General tolerances ISO 3302-1 M3			Drawn by P.Åkerberg		Checked by P.Brock	
			Reference cad data		Date 2013-08-14	
					Part version no.	