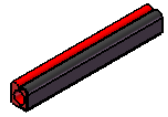


**Compashield® splice quality requirements:**

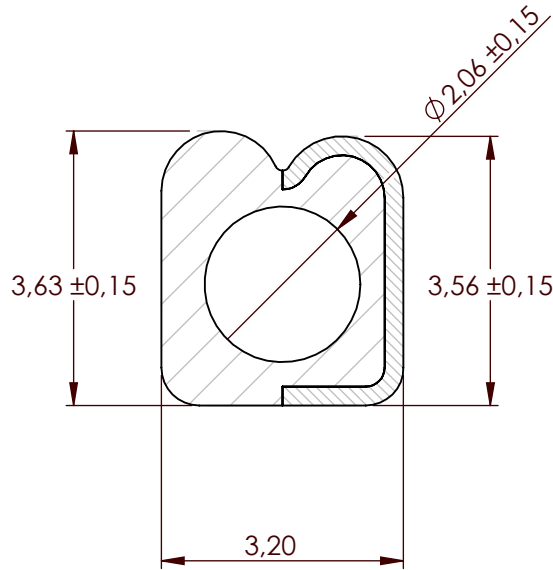
No reduction of the shielding properties in the splicing area. Splicing rubber thin and conductive.  
No flash, porosity or excess rubber at the joint after splicing.  
Max increase of compression force in the splicing area 5%. No excess splicing rubber inside hollow profiles.  
Joining point should stand for 10% stretch without mechanical damage

<b>Cross-section area</b>
7.53 mm <sup>2</sup>


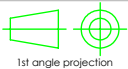


**Electrial resistance measure:**

Methode: Nolato R3 Max: 150 mOhm



REVISIONS			Art.nr	Material	Lenght	Weight/m	Splice
REV.	DATE	DESCRIPTION	1209200	8648 / 1540	Roll	3,6g / 7,5g	No
			1209201		618±5 mm		Yes
			1209202		730±5 mm		Yes

		Document name <b>Compashield EE</b>					
		Sheet scale 10:1	Sheet size A4	Document no. P2092:13:001	Rev no. B	Nolato art. no. 1209200	Customer no.
General tolerances  ISO 3302-1 M3				Drawn by T.Nilsson		Checked by P.Brock	Date 2013-07-31
Reference cad data						Part version no.	