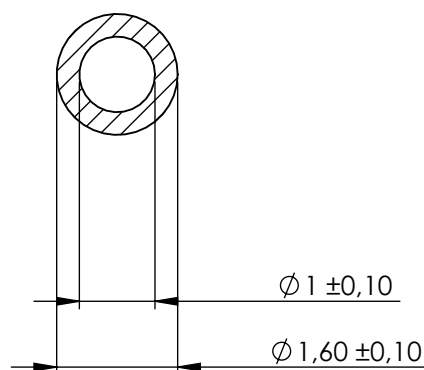


Compashield® splice quality requirements:


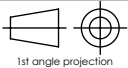
No reduction of the shielding properties in the splicing area. Splicing rubber thin and conductive.
 No flash, porosity or excess rubber at the joint after splicing.
 Max increase of compression force in the splicing area 5%. No excess splicing rubber inside hollow profiles.
 Joining point should stand for 10% stretch without mechanical damage

Cross-section area1.25 mm ²**Electrial resistance measure:**

Methode: Nolato R3 Max: 300 mOhm



REVISIONS			Art.nr	Material	Lenght	Weight/m	Splice
REV.	DATE	DESCRIPTION	1207400	8642	Roll	3,0g	No
B	130910	Inner diameter changed from 0,84 to 1,0	1207401		82,5 ± 1 mm		Yes
			1207402		48,5 ± 1 mm		Yes

		Document name				
		Compashield Hollow O-Shape				
	Sheet scale 10:1	Sheet size A4	Document no. P2074:13:001	Rev no. B	Nalato art. no. 1207400	Customer no.
General tolerances			Drawn by S.Muhonen	Checked by P.Brock	Date 2013-06-25	
ISO 3302-1 M3			Reference cad data		Part version no.	