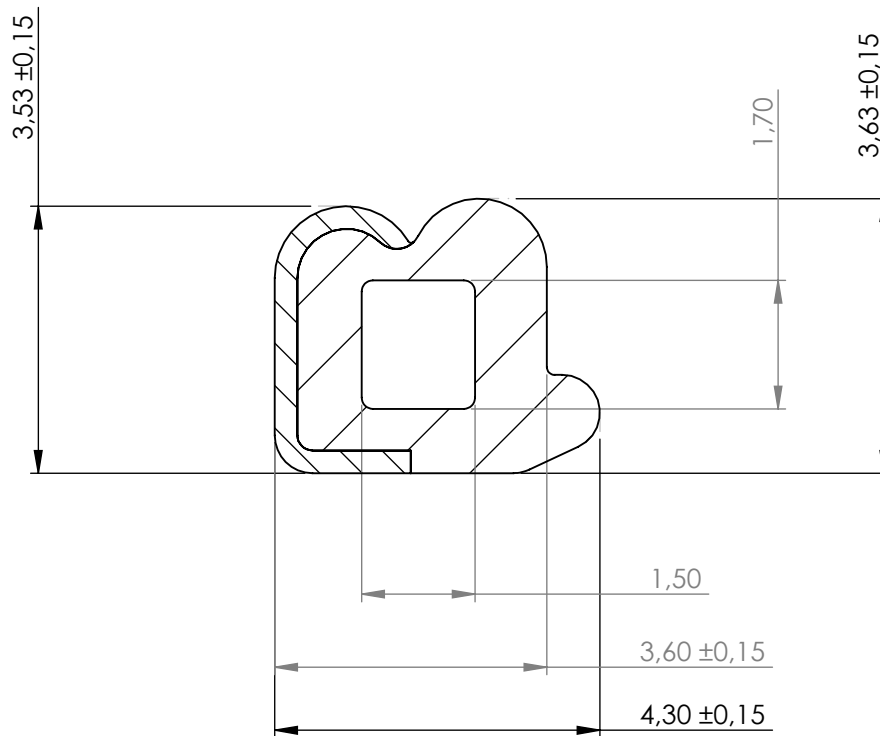


Compashield® splice quality requirements:


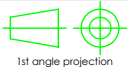
No reduction of the shielding properties in the splicing area. Splicing rubber thin and conductive.
 No flash, porosity or excess rubber at the joint after splicing.
 Max increase of compression force in the splicing area 5%. No excess splicing rubber inside hollow profiles.
 Joining point should stand for 10% stretch without mechanical damage

Cross-section area10.3 mm²**Electrial resistance measure:**

Methode: Nolato R3 Max:300 mOhm



REVISIONS			Art.nr	Material	Lenght	Weight/m	Splice
REV.	DATE	DESCRIPTION	1206600	8648 /1540	Roll	5g / 10g	No
			1206601		2885 ±5 mm		Yes

		Document name Compashield EE				
	Sheet scale 10:1	Sheet size A4	Document no. P2066:13:001	Rev no. B	Nalato art. no. 1206600	Customer no.
General tolerances ISO 3302-1 M3			Drawn by S.Muhonen	Checked by P.Brock	Date 2013-06-19	
Reference cad data 2066 B Compashield EE				Part version no.		