

Compashield® splice quality requirements:

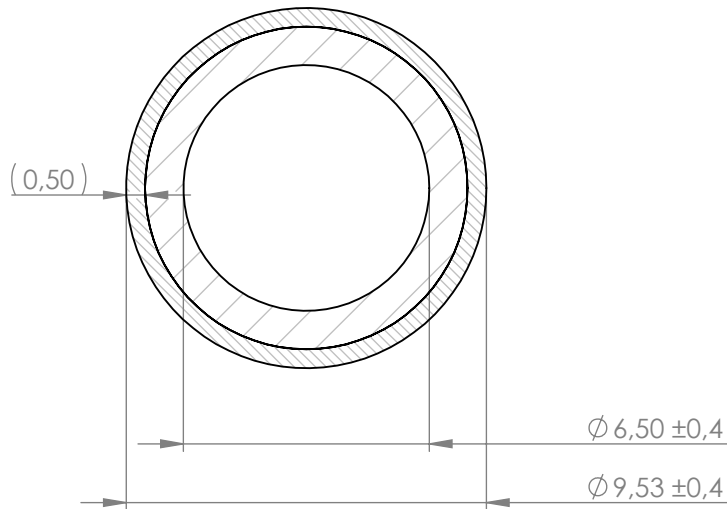
No reduction of the shielding properties in the splicing area. Splicing rubber thin and conductive.
No flash, porosity or excess rubber at the joint after splicing.
Max increase of compression force in the splicing area 5%. No excess splicing rubber inside hollow profiles.
Joining point should stand for 10% stretch without mechanical damage

Cross-section area

14.18mm ^2

Electrial resistance measure:

Methode: Nolato R3 Max:150 mOhm



REVISIONS				
REV.	DATE	DESCRIPTION	Art.nr	Material
			1206500	8648 /1540
			Roll	30g / 29g
				No

		Document name Compashield Soft Hollow O-shape		
	Sheet scale 5:1	Sheet size A4	Document no. P2065:13:001	Rev no. B
General tolerances ISO 3302-1 M3		Drawn by T.Nilsson	Checked by	Date 2013-06-07
Reference cad data			Part version no.	