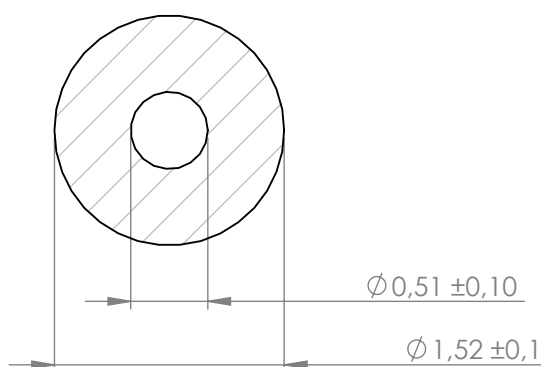


Compashield® splice quality requirements:


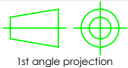
No reduction of the shielding properties in the splicing area. Splicing rubber thin and conductive.
 No flash, porosity or excess rubber at the joint after splicing.
 Max increase of compression force in the splicing area 5%. No excess splicing rubber inside hollow profiles.
 Joining point should stand for 10% stretch without mechanical damage

Cross-section area1.61mm ^{^2}**Electrial resistance measure:**

Methode: Nolato R3 Max:300 mOhm



REVISIONS			Art.nr	Material	Lenght	Weight/m	Splice
REV.	DATE	DESCRIPTION	1203400	8642	Roll	3,5g	No

 Nolato		Document name Compashield Hollow O-shape					
 1st angle projection	Sheet scale 20:1	Sheet size A4	Document no. P2034:13:001	Rev no. B	Nalato art. no. 1203400	Customer no.	
General tolerances ISO 3302-1 M3			Drawn by T.Nilsson		Checked by S.M		Date 2013-04-04
Reference cad data					Part version no.		