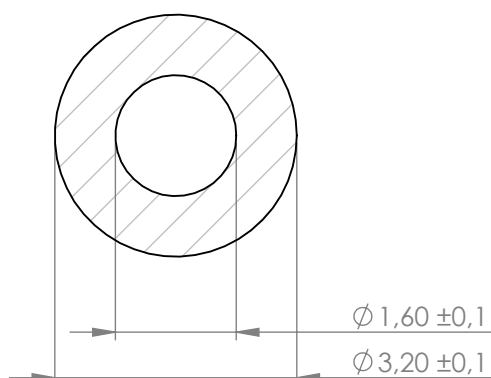


Compashield® splice quality requirements:


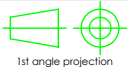
No reduction of the shielding properties in the splicing area. Splicing rubber thin and conductive.
 No flash, porosity or excess rubber at the joint after splicing.
 Max increase of compression force in the splicing area 5%. No excess splicing rubber inside hollow profiles.
 Joining point should stand for 10% stretch without mechanical damage

Cross-section area6.03mm ^{^2}**Electrial resistance measure:**

Methode: Nolato R3 Max:150 mOhm



REVISIONS			Art.nr	Material	Lenght	Weight/m	Splice
REV.	DATE	DESCRIPTION	1200100	8651	Roll	12,7g	No
B	130325	Minor changes					

		Document name Compashield Hollow O-shape				
	Sheet scale 10:1	Sheet size A4	Document no. P2001:13:001	Rev no. C	Nalato art. no. 1200100	Customer no.
General tolerances ISO 3302-1 M3			Drawn by T.Nilsson		Checked by	Date 2013-01-22
Reference cad data					Part version no.	