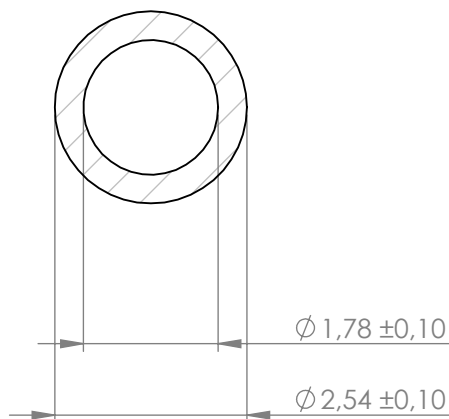


**Compashield® splice quality requirements:**

No reduction of the shielding properties in the splicing area. Splicing rubber thin and conductive.  
 No flash, porosity or excess rubber at the joint after splicing.  
 Max increase of compression force in the splicing area 5%. No excess splicing rubber inside hollow profiles.  
 Joining point should stand for 10% stretch without mechanical damage

**Cross-section area**2.6 mm <sup>2</sup>**Electrial resistance measure:**

Methode: Nolato R3 Max: 300 mOhm



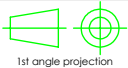
Art.nr	Material	Lenght	Weight/m	Splice
1199500	8642	Roll	6,5 g	No
1199501		74,8 ± 1 mm		Yes
1199502		148 ± 2		Yes
1199503		150 ± 2		Yes
1199504		200 ± 2		Yes
1199505		250 ± 2		Yes

REVISIONS		
REV.	DATE	DESCRIPTION
B	130325	Minor changes



Document name

Compashield Hollow O-shape

 1st angle projection	Sheet scale 10:1	Sheet size A4	Document no. P1995:13:001	Rev no. C	Nolato art. no. 1199500	Customer no.
	General tolerances  ISO3302-1 Class M3		Drawn by S.Muhonen	Checked by P.Åkerberg	Date 2013-01-15	
Reference cad data				Part version no.		