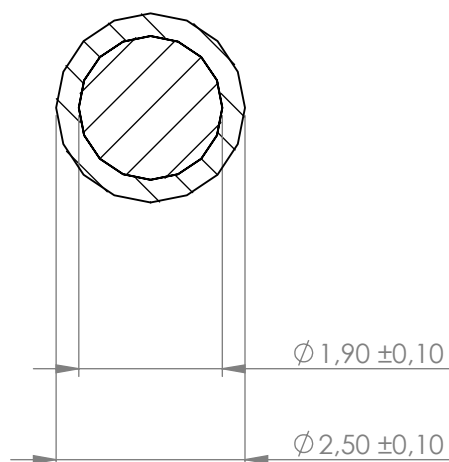


**Compashield® splice quality requirements:**

No reduction of the shielding properties in the splicing area. Splicing rubber thin and conductive.  
 No flash, porosity or excess rubber at the joint after splicing.  
 Max increase of compression force in the splicing area 5%. No excess splicing rubber inside hollow profiles.  
 Joining point should stand for 10% stretch without mechanical damage

**Cross-section area**4.9 mm<sup>2</sup>**Electrial resistance measure:**

Methode: Nolato R3 Max:150 mOhm



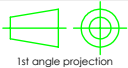
Art.nr	Material	Lenght	Weight/m	Splice
1199100	8651/1540	Roll	4,5g / 3,5g	No
1199101		349 ±2 mm		Yes
1199102		432 ±2 mm		Yes
1199103		532 ±2 mm		Yes

REVISIONS		
REV.	DATE	DESCRIPTION
B	130325	Minor changes



Document name

Compashield Soft Solid O-shape

 1st angle projection	Sheet scale 10:1	Sheet size A4	Document no. P1991:12:001	Rev no. C	Nolato art. no. 1199100	Customer no.
General tolerances  ISO 3302-1 Class M3			Drawn by S.Muhonen	Checked by P.Brock	Date 2012-12-21	
Reference cad data					Part version no.	