

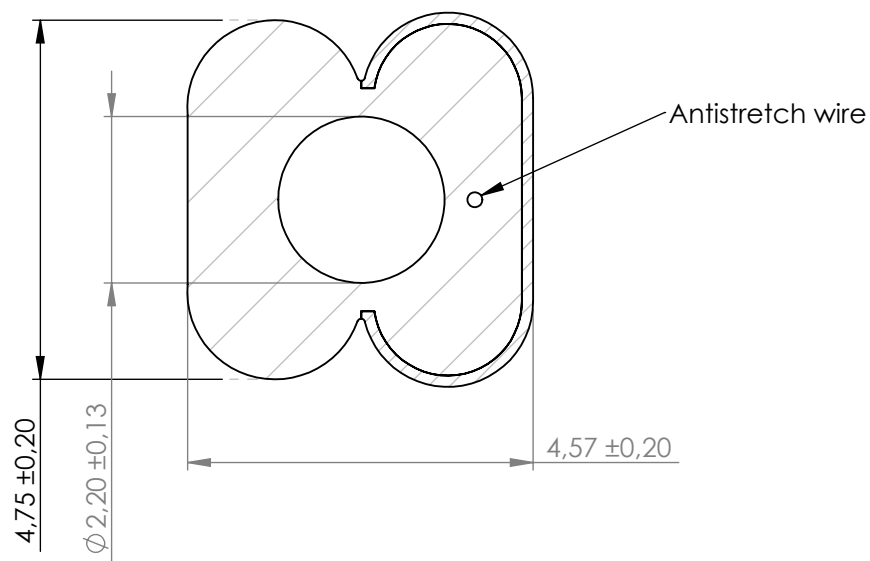
Compashield® splice quality requirements:

No reduction of the shielding properties in the splicing area. Splicing rubber thin and conductive.
 No flash, porosity or excess rubber at the joint after splicing.
 Max increase of compression force in the splicing area 5%. No excess splicing rubber inside hollow profiles.
 Joining point should stand for 10% stretch without mechanical damage


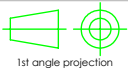
Cross-section area

1.4 mm²**Electrial resistance measure:**

Methode: Nolato R3 Max: 300 mOhm



REVISIONS			Art.nr	Material	Lenght	Weight/m	Splice
REV.	DATE	DESCRIPTION	1197000	8648 /1540	Roll	5g / 17g	No
C	130717	Splicing lenght added, material amount corrected. //PA	1197001		1140±2		Yes
B	130325	Minor changes	1197002		1075,5±1,5		Yes

		Document name					
		Compashield EE Anti-stretch					
		Sheet scale	Sheet size	Document no.	Rev no.	Nalato art. no.	Customer no.
		10:1	A4	P1970:12:001	D	1197000	
General tolerances			Drawn by		Checked by		Date
ISO 3302-1 M3			S.Muhonen		P.Brock		2012-11-15
			Reference cad data			Part version no.	