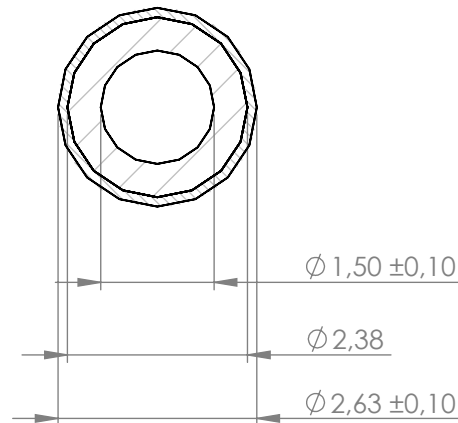


Compashield® splice quality requirements:


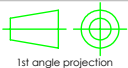
No reduction of the shielding properties in the splicing area. Splicing rubber thin and conductive.
 No flash, porosity or excess rubber at the joint after splicing.
 Max increase of compression force in the splicing area 5%. No excess splicing rubber inside hollow profiles.
 Joining point should stand for 10% stretch without mechanical damage

Cross-section area1 mm²**Electrial resistance measure:**

Methode: Nolato R3 Max:150 mOhm



REVISIONS			Art.nr	Material	Lenght	Weight/m	Splice
REV.	DATE	DESCRIPTION	1196900	8651 /1540	Roll	2,1g / 3g	No
B	130325	Minor changes	1196901		132 ±3 mm		Yes

		Document name Compashield Soft Hollow O-shape					
		Sheet scale 10:1	Sheet size A4	Document no. P1969:12:001	Rev no. D	Nalato art. no. 1196900	Customer no.
General tolerances SS-ISO 3302-1 M3				Drawn by S.Muhonen		Checked by P.Åkerberg	Date 2014-08-20
Reference cad data						Part version no.	