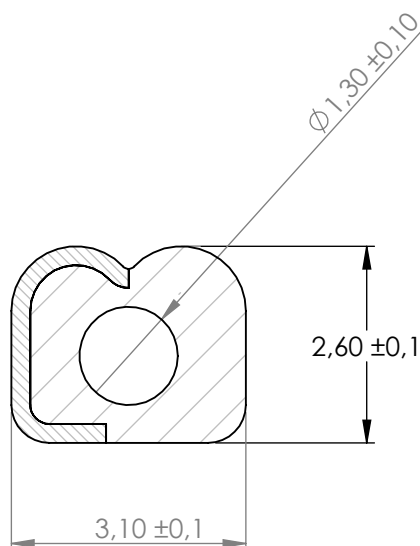


Compashield® splice quality requirements:

No reduction of the shielding properties in the splicing area. Splicing rubber thin and conductive.
 No flash, porosity or excess rubber at the joint after splicing.
 Max increase of compression force in the splicing area 5%. No excess splicing rubber inside hollow profiles.
 Joining point should stand for 10% stretch without mechanical damage

Electrial resistance measure:

Methode: Nolato R3 Max:150 mOhm

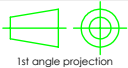
Cross-section area1.1273mm ^{^2}

REVISIONS			Art.nr	Material	Lenght	Weight/m	Splice
REV.	DATE	DESCRIPTION	1196500	8651 /1540	Roll	3g / 6g	No
B	130326	Minor changes					
D	170403	Material 8635 changed to 8651					



Document name

Compashield EE

 1st angle projection	Sheet scale 10:1	Sheet size A4	Document no. P1965:12:001	Rev no. D	Nalato art. no. 1196500	Customer no.
General tolerances ISO 3302-1 M3			Drawn by T.Nilsson	Checked by P.Åkerberg	Date 2012-10-15	
Reference cad data					Part version no.	