

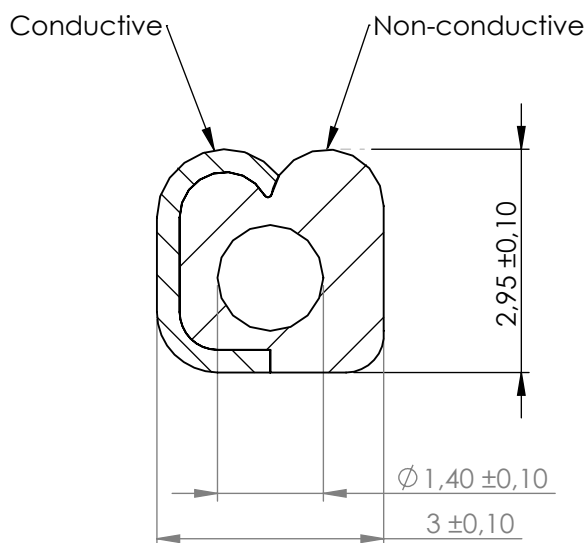
Compashield® splice quality requirements:

No reduction of the shielding properties in the splicing area. Splicing rubber thin and conductive.
 No flash, porosity or excess rubber at the joint after splicing.
 Max increase of compression force in the splicing area 5%. No excess splicing rubber inside hollow profiles.
 Joining point should stand for 10% stretch without mechanical damage

Cross-section area

6,7 mm²**Electrial resistance measure:**

Methode: Nolato R3 Max: 150 mOhm



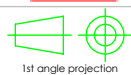
Art.nr	Material	Lenght	Weight/m	Splice
1195000	8651 /1540	Roll	3g / 6g	No
1195001		569 ± 2 mm		Yes
1195002		92 ± 1 mm		No
1195003		815 ± 3mm		Yes

REVISIONS		
REV.	DATE	DESCRIPTION
C	140214	Material changed from 8655 to 8651
D	160818	Splicing lenght added /JB

**Nolato**

Document name

Compashield EE



1st angle projection

Sheet scale
1:10Sheet size
A4Document no.
P1950:12:001Rev no.
DNolato art. no.
1195000

Customer no.

General tolerances

Drawn by
S.MuhonenChecked by
P.BrockDate
2012-09-18

SS-ISO 2768 m

Reference cad data

Part version no.