

Compashield® splice quality requirements:

No reduction of the shielding properties in the splicing area. Splicing rubber thin and conductive.

No flash, porosity or excess rubber at the joint after splicing.

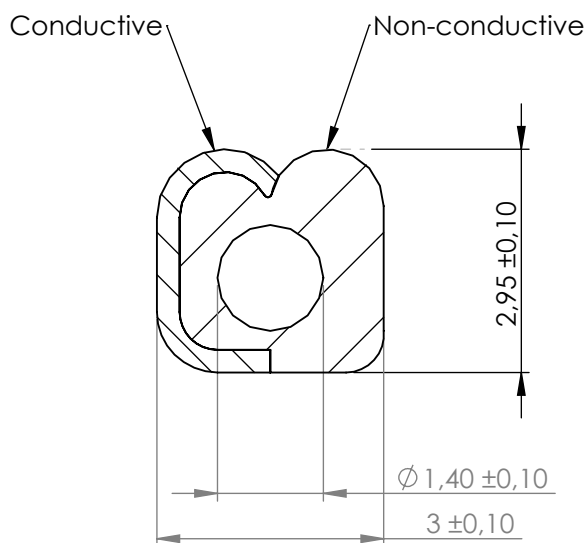
Max increase of compression force in the splicing area 5%. No excess splicing rubber inside hollow profiles.

Joining point should stand for 10% stretch without mechanical damage

Cross-section area

6,7 mm²**Electrial resistance measure:**

Methode: Nolato R3 Max: 300 mOhm



Art.nr	Material	Lenght	Weight/m	Splice
1194900	8648 /1540	Roll	4g / 6g	No
1194901		1217 ± mm		Yes
1194902		239 ± mm		Yes
1194903		958 ± mm		Yes
1194904		569 ± 2 mm		Yes
1194905		92 ± 1 mm		No
1194906		520 ± 2 mm		Yes
1194907		117,5 ± 1 mm		No
1194908		1300 ± 5		Yes

REVISIONS

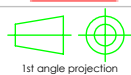
REV.	DATE	DESCRIPTION	Art.nr	Lenght	Splice
			1194907	117,5 ± 1 mm	No
C	131211	New Splicing lenghts added // OE	1194908	1300 ± 5	Yes



Nolato

Document name

Compashield EE



1st angle projection

Sheet scale
1:10Sheet size
A4Document no.
P1949:12:001Rev no.
FNolato art. no.
1194900

Customer no.

General tolerances

Drawn by
S.MuhonenChecked by
P.BrockDate
2012-09-18

SS-ISO 2768 m

Reference cad data

Part version no.