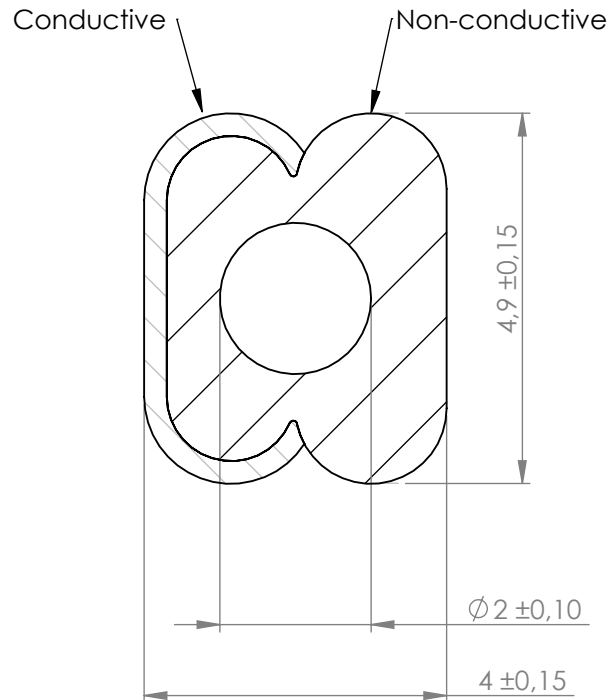
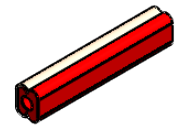


Compashield® splice quality requirements:


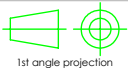
No reduction of the shielding properties in the splicing area. Splicing rubber thin and conductive.
 No flash, porosity or excess rubber at the joint after splicing.
 Max increase of compression force in the splicing area 5%. No excess splicing rubber inside hollow profiles.
 Joining point should stand for 10% stretch without mechanical damage

Cross-section area**2,4 mm²****Electrial resistance measure:**

Methode: Nolato R3 Max: 150 mOhm



REVISIONS			Art.nr	Material	Lenght	Weight/m	Splice
REV.	DATE	DESCRIPTION	1194800	8651/1540	Roll	5g / 14g	No
B	130527	New splicing length	1194801		1028±5 mm		Yes
D	170403	Material 8655 changed to 8651					

		Document name Compashield EE					
		Sheet scale 1:10	Sheet size A4	Document no. P1948:12:001	Rev no. D	Nalato art. no. 1194800	Customer no.
General tolerances SS-ISO 2768 m				Drawn by S.Muhonen		Checked by P.Brock	Date 2012-08-22
Reference cad data						Part version no.	