

Compashield® splice quality requirements:

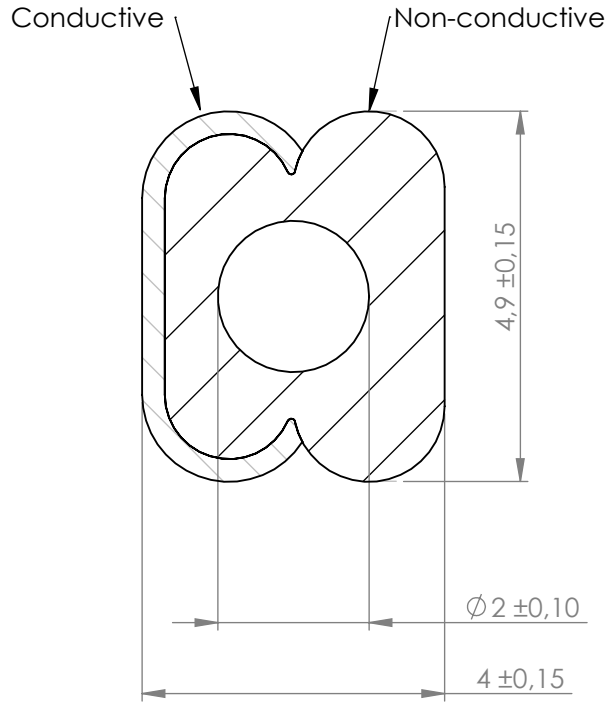
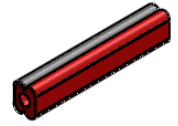
No reduction of the shielding properties in the splicing area. Splicing rubber thin and conductive.
No flash, porosity or excess rubber at the joint after splicing.
Max increase of compression force in the splicing area 5%. No excess splicing rubber inside hollow profiles.
Joining point should stand for 10% stretch without mechanical damage

Cross-section area


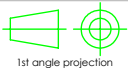
14,9 mm²

Electrial resistance measure:

Methode: Nolato R3 Max: 300 mOhm



REVISIONS				
REV.	DATE	DESCRIPTION	Art.nr	Material
			1194700	8648/1540
			Roll	6,5g / 14g
				NO

		Document name			Compashield EE	
	Sheet scale 1:10	Sheet size A4	Document no. P1947:12:001	Rev no. B	Nalato art. no. 1194700	Customer no.
General tolerances			Drawn by S.Muhonen	Checked by P.Brock	Date 2012-08-22	
SS-ISO 2768 m			Reference cad data		Part version no.	