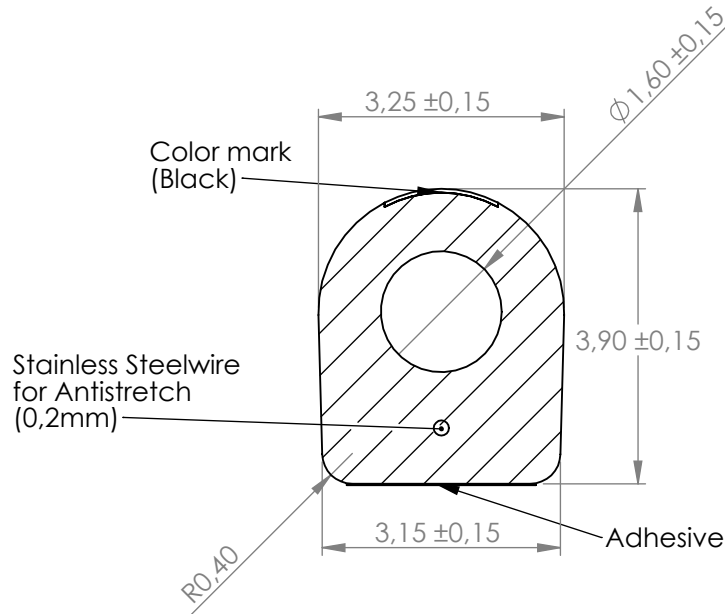


**Compashield® splice quality requirements:**


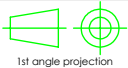
No reduction of the shielding properties in the splicing area. Splicing rubber thin and conductive.  
 No flash, porosity or excess rubber at the joint after splicing.  
 Max increase of compression force in the splicing area 5%. No excess splicing rubber inside hollow profiles.  
 Joining point should stand for 10% stretch without mechanical damage

Cross-section area

9.6mm<sup>2</sup>



REVISIONS			Art.nr	Material	Lenght	Weight/m	Splice
REV.	DATE	DESCRIPTION	9000134	Adhesive			
B	121008	Color mark added	1194600	1540 (Red)	Roll	12g	No
C	130326	Minor changes	1194601		100 ± 1 mm		No
D	131212	Adhesive change	1194602		881 ± 3 mm		No
F	140912	Radius Dim Added / JB	1194603		747 ± 3 mm		No
G	141015	Change Dimensions	1194604		2857 ± 5 mm		Yes
H	141015	Added Dimensions	1194605		1384 ± 3 mm		Yes
J	160311	Spicing lengths added					

		Document name					
		Compashield Hollow D-shape					
		Sheet scale	Sheet size	Document no.	Rev no.	Nolato art. no.	Customer no.
		10:1	A4	P1946:12:001	L	1194600	MPA 901 42/1
General tolerances				Drawn by	Checked by	Date	
ISO 3302-1 M3				T.Nilsson	P.Åkerberg	2012-10-08	
Reference cad data					Part version no.		